

YOSEMITE Well Light

DESCRIPTION

The Yosemite Well Light comes in two variations: a flat top and angled top. The Yosemite is fitted for any of our PAR36 lamps and really comes to life with the new Chameleon PAR36. Both the flat and angled top come in a black finish.

OPTIONAL LAMP: PAR36 or Chameleon PAR36

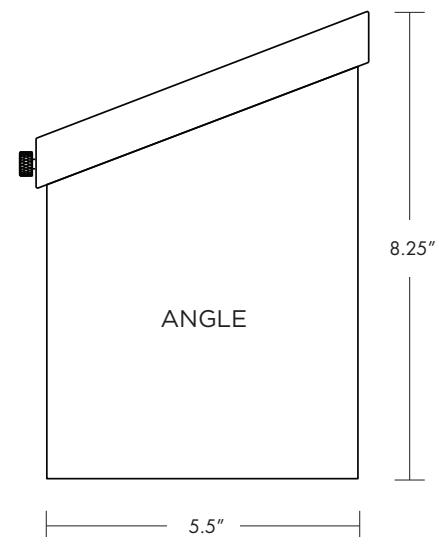
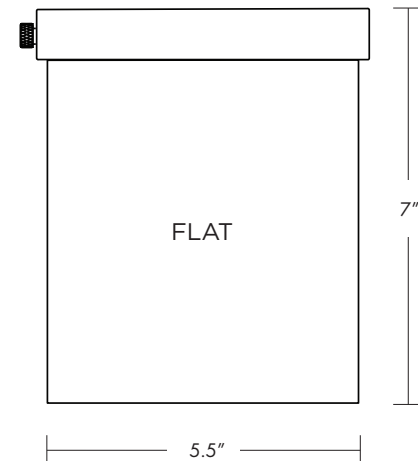
FINISH: Black

USE: Well Light

- Stainless steel heavy duty adjustable gimbal
- Brass cover with glass



PART NUMBER: **YOSEMITE WL-PAR36-FLAT-(NL)**
YOSEMITE WL-PAR36-ANGLE-(NL)



YOSEMITE WL-PAR36-FLAT

INSTALLING THE LAMP

1. Loosen the thumbscrew on the lens cap and remove the lens cap and the stainless steel gimbal from inside the Yosemite.
2. Install the lamp and snap it into the gimbal.
3. Return the gimbal to the Yosemite.

INSTALLING THE FIXTURE

1. Dig a hole in the ground approximately 12" wide by 14" deep.
2. Connect the power cable to the fixture, leaving 2 feet of wire coiled in the bottom of the fixture for future service.
3. Pour 8" of pea gravel in the hole.
4. Place the fixture in the center of the hole.
5. Add more pea gravel to fill the hole 1" before the fixture lip. This will allow for proper drainage around the fixture.
6. Place the specified lens assembly on the top of the fixture and tighten the set screw. Use the specified lens in all applications to protect from debris.
7. Apply glass wax on top of the lens to protect against standing water.