

EVERGLADES G4 BI-PIN AREA LIGHT



DESCRIPTION

The Everglades is an area light that serves as a low-profile indicator. Pair with the optional Deck Mount accessory as a base for flat surfaces like boating docks and deck applications.

Part Number:

EVERGLADES-AL-G4-BR
-BR-BLK

EVERGLADES AREA LIGHT

Use	Pathways & Walkways Dock & Deck Applications
Lamp (included)	Micro G4 Bi-Pin in Amber
Includes	Micro G4 Bi-Pin in Amber, ABS Mounting Stake, LightingShrink Professional Crimp, and Heat Shrink Cable Connector
Finish	Brass or Black Brass (Cerakote®)



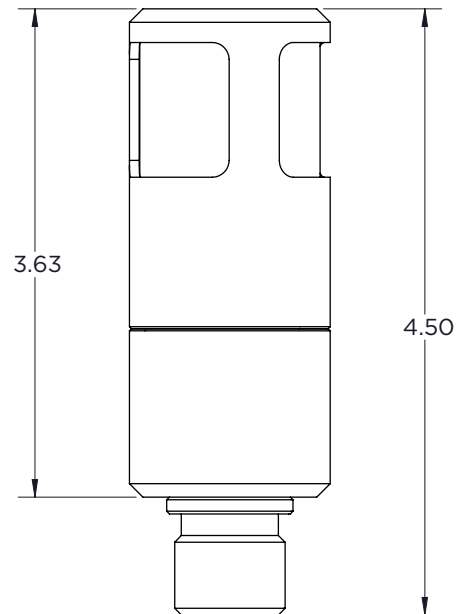
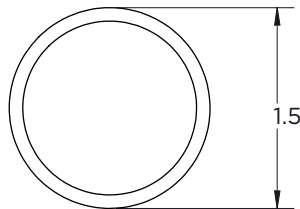
Everglades shown with Deck Mount accessory



Brass (BR)



Black Brass + Cerakote®
(BR-BLK)



UNDER REVIEW FOR WILDLIFE LIGHTING CERTIFICATION PROGRAM

Light Source (Micro G4 Amber) approved under Certification Number 2018-036

The Wildlife Lighting Certification Program has been suspended since 2020 due to COVID-19 and remains closed at the time of this publication. This item has been submitted to be reviewed when the program resumes.





Application picture shown as EVERGLADES-AL-G4-BR (includes lamp in Amber).

INSTALLING THE LAMP

1. Pull the assembly top off of the fixture base.
2. Install the lamp into the socket
3. Press the assembly top into fixture.

INSTALLING THE GROUND STAKE

1. Dig a hole in the ground approximately 4" wide by 10" deep. When working with soft soil, use a rubber mallet to drive the stake into the ground.
2. Lay the power cable from the fixture into the slotted relief on the stake.
3. Screw the fixture into the stake.
4. Use a level to ensure the top of the spike is level with the ground, or put a level on the stem of the fixture.

INSTALLING ON DECK APPLICATIONS

1. Use the Brilliance Deck Mount.
2. Use three #10 x 3" round head stainless steel deck screws to mount the Deck Mount to wood or composite deck material.

UNDER REVIEW FOR WILDLIFE LIGHTING CERTIFICATION PROGRAM

Light Source (Micro G4 Amber) approved under Certification Number 2018-036

The Wildlife Lighting Certification Program has been suspended since 2020 due to COVID-19 and remains closed at the time of this publication. This item has been submitted to be reviewed when the program resumes.

