

# TEE WALL WASHER



## DESCRIPTION

The Brilliance Tee Wall Washer Light comes complete with a one-piece stainless-steel ground stake and glare shield. Included in the box is one pair of Lighting Shrink professional crimp and heat shrink cable connectors.

**LAMP:** 1.5W, 100 Lumens, 2700K, 180°

**SHROUD FINISH:** Copper, Brass, and Blackened Brass

**USE:** Up lighting, grazing, and backlighting techniques

PART NUMBER: **TEE-WALL-WASHER-BRASS**

**COPPER**  
**BRASS-BLK**



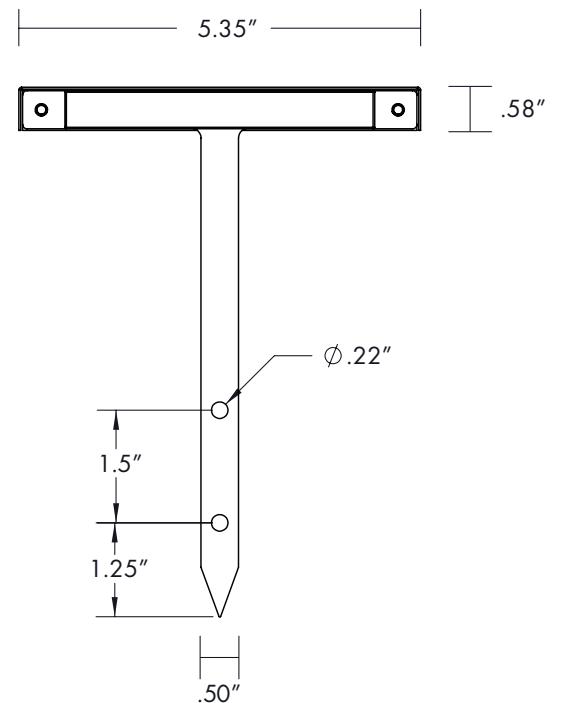
Brass (BR)



Copper (CU)



Blackened Brass (BRASS-BLK)



## INSTALLING THE FIXTURE

1. Dig a hole in the ground approximately 1" wide by 4" deep.
2. Insert the built-in stake into the hole and aim the fixture in the desired direction and angle.
3. For soft soil, gently push the stake into the ground.
4. Lay the power cable from the fixture into the existing cable trench and use the Lighting Shrink cable connector to join the fixture cable to the main cable.