



## INSTALLATION INSTRUCTIONS

### IMPORTANT NOTE:

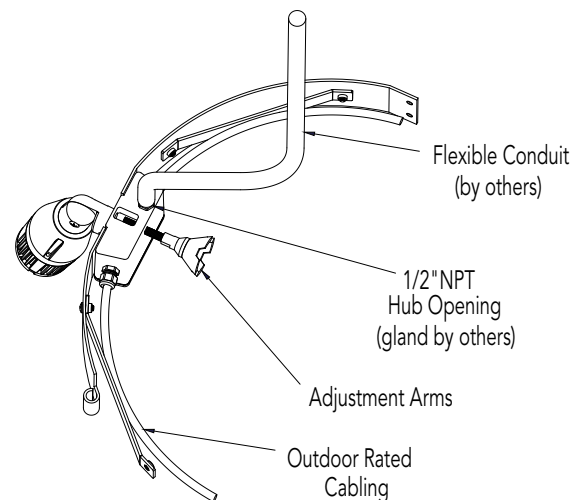
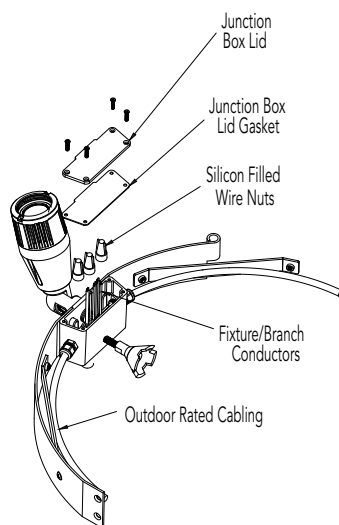
- Accessory must be installed and grounded in accordance of the National Electrical Code (NEC) and local codes.
- Accessory for use with UL listed luminaires only. Accessory for tree installation only.
- Always use UL recognized wire connectors for connections.
- **Accessory suitable for fixtures weighing up to five pounds each.**

**MAINTENANCE:** To assure proper operation and efficiency and to prevent luminaire accessory from coming loose, a regular scheduled maintenance program is recommended. It is recommended to install an additional lanyard around the tree / tree ring to prevent falling hazard (lanyard by others).

**SAFETY WARNING:** Accessory can loosen from high winds, growth of trees. Inspect tightness of accessory on a regular schedule.

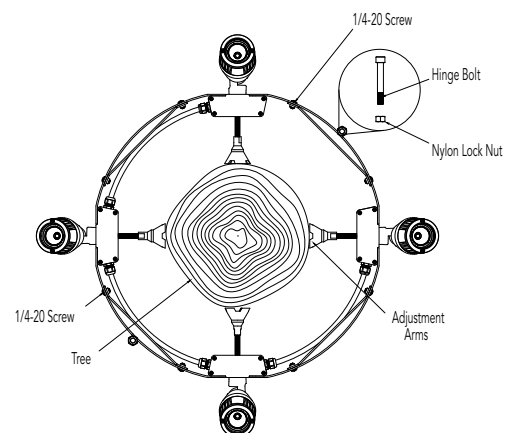
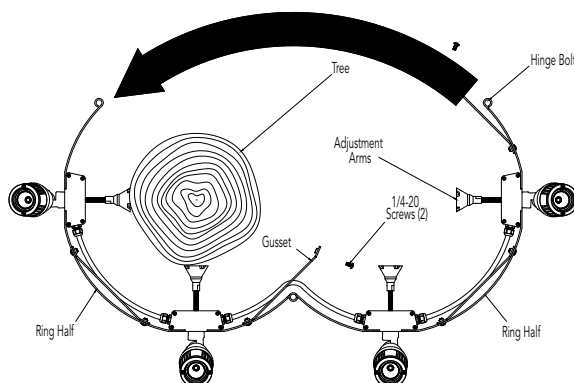
### LUMINAIRE MOUNTING (Onto Tree Ring Mount):

1. Remove Junction Box Lid and gasket from each Box on Tree Ring Mount. Thread individual fixture into the 1/2" NPT side opening using Teflon tape for water tightness. **Accessory suitable for fixtures weighing up to five pounds each.**
2. Connect flexible conduit to bottom hub on junction box. Use 1/2"-14 NPT wet location conduit gland (by others).
3. Install supply conductor wiring into flexible conduit in accordance to NEC and all local codes.
4. Connect fixture wiring to supply conductors and to branch conductors using supplied silicon filled wire nuts. Take note of polarity of conductors when wiring. Be sure to connect ground from junction box to supply ground.
5. Re-install junction box gasket and lid. Tighten junction box screws.



### TREE RING MOUNTING (Onto tree)

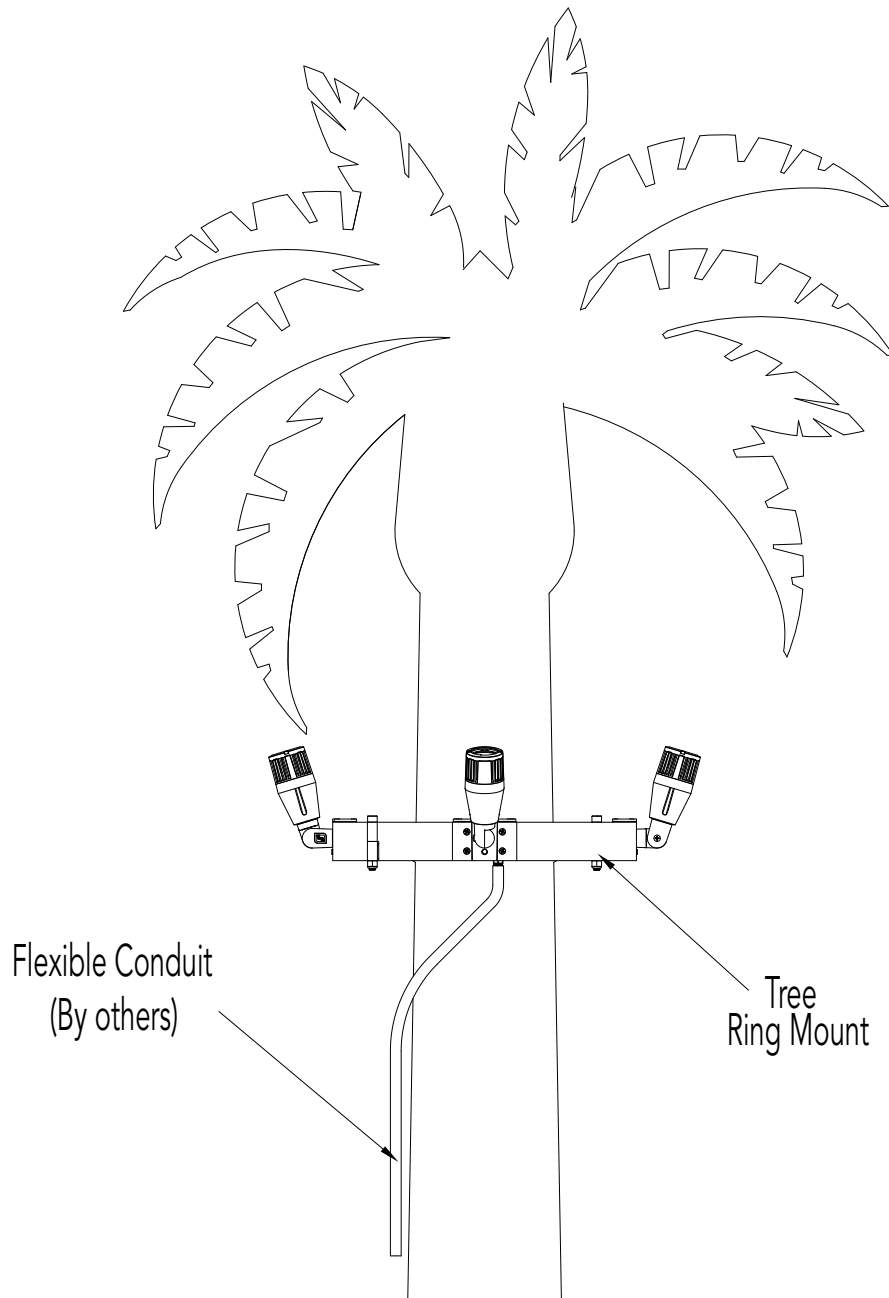
6. Open up anchoring arms to position accessory around tree. **Wrap Tree Ring Mount around tree at desired position below canopy by removing the one Hinge Bolt where no Outdoor Cabling is located. Remove two 1/4-20 screws that are NOT painted on gussets that bridge the Hinge Bolts.**



*Vista Professional Outdoor Lighting reserves the right to modify the design and/or construction of the fixture shown without further notification.*



## INSTALLATION INSTRUCTIONS



7. Secure Tree Ring Mount with second Hinge Bolt, and re-install the two 1/4-20 screws through the Tree Ring and into the gussets. **BE SURE TO FULLY TIGHTEN. IMPORTANT - FULLY INSTALL NYLON LOCKING NUT ONTO HINGE BOLT TO ENSURE HINGE BOLT STAYS SECURE.**
8. Tighten anchoring arms uniformly against tree until secure.
9. Install lanyard around tree (by others) to secondarily secure the accessory to the tree.
10. Connect flexible conduit and supply conductor circuit to incoming electrical service. Connections to be in compliance with all local codes.
11. Energize circuit and aim fixtures as appropriate.

*Vista Professional Outdoor Lighting reserves the right to modify the design and/or construction of the fixture shown without further notification.*