

S-14 EDGE FILAMENT

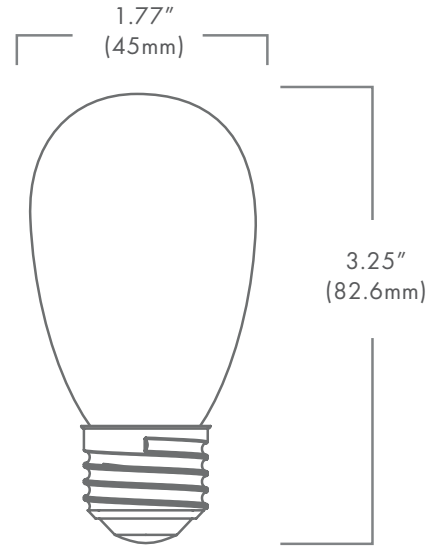
DESCRIPTION

The S14 Edge Filament is designed specifically for use in both outdoor and indoor open fixtures where precision lighting and high color rendering is desired. This lamp is ideal for inverted bistro style lighting.

FEATURES

- UL listed
- Clear, omni-directional light source
- Elegant, exposed filament design
- Dimmable
- UL & FCC compliant

Wattage	3.5
Lumens	245
Kelvin Temperature	2200, 2700, 3000
Operating Range	110-130 VAC
CRI	95
IP	64
Lamp Life (hours)	30,000
Warranty (years)	3



Part Number: **S14-FIL-EDGE-XXXX-120**

|
Kelvin

