



QUASAR 1: 12V & 24V Brass Down Light

PROJECT:	
TYPE:	
CATALOG NUMBER:	
LAMP(S):	
NOTES:	

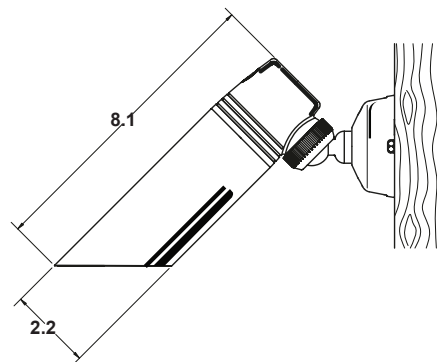
FIXTURE ORDERING INFORMATION

Example: QUA1-12-L327 (Quasar 1, 12 Volt, 3 Watt, 2700K LED MR16, 25' Wire Lead, Weathered Brass)

MODEL NAME	VOLTAGE	WATTAGE	WIRE LENGTH	FINISH	OPTIONS
QUA1	12=12 Volt 24=24 Volt	L327= LED, 3W, 2700K, FLOOD L330= LED, 3W, 3000K, FLOOD L427= LED, 4W, 2700K, FLOOD L430= LED, 4W, 3000K, FLOOD L527= LED, 5W, 2700K, FLOOD L530= LED, 5W, 3000K, FLOOD 20= 20W Halogen 35= 35W Halogen NL=No Lamp	Leave blank for standard 25' length * 0= 3' wire lead * 50= 50' wire lead	leave blank for standard WB finish P= Standard powder coat finishes. List your desired color in the order comments area.	* 6P= Six Pack

NOTE: Pre-lamped LED fixtures are NOT available with 24V lamps. LED fixtures are available ONLY with a 25' wire lead. For additional painted finishes or six pack options contact our factory.

DIMENSIONS:



Powder Coated Finishes

Tucson Tan	TT
White**	WH
Black	BK
Verde Green	VG
Titanium Knight	TK

Standard Finish

Weathered Brass	WB
-----------------	----

Stock powder coated colors displayed are subject to varying lead-times and will incur an additional cost. A Limited Warranty applies to all powder coated products. Custom colors are available upon request. Please inquire about cost and lead times. Contact factory for custom colors and matching paint options.

FLEX™ Unique Lighting Systems® fixtures are available with LED lamps. Please specify the lamp code when ordering.

* Only available with the NL wattage option.

** This fixture is available in White with No Lamp at no upcharge with a seven day lead time.

Unique Lighting Systems® reserves the right to modify the design and/or construction of the fixture shown without further notification.

SPECIFICATIONS

Our Commitment

Unique Lighting Systems' highest commitment is to set the standard for manufacturing innovative and quality products. This commitment is evident through our detailed inspection processes and extensive field testing. From the initial design process of each product, to the final assembly of each custom-made individual part, our manufacturing process accomplishes the highest level of performance and durability carried through to final delivery to the end user. Durable construction and beautiful styling make Unique™ fixtures the ideal solution for any residential or commercial application. Unique Lighting™ already holds numerous product patents and we are constantly developing innovative ideas to help expand the lighting industry.

Body

Precision machined from solid brass casting. Body design provides enclosed, water resistant wireway to protect wires.

Gasket

High temperature silicone o-ring for water-tight seal.

Knuckle

Machined brass, exclusive ball and joint. The 360° Orbital Mount™ allows for perfect directional fine tuning.

Shroud

Precision machined from brass. Accepts up to one additional lens/hex cell accessory.

Lens

Comes with a complete set of optical designer lenses including; spread lens, frosted, hex cell and blue lens for moonlighting effect.

Lamp

For use with a halogen lamp up to 35W MR16 lamp. **FLEX™** Series LED lamps are available in 3W, 4W or 5W. LED lamps are available in 2700K and 3000K color temperatures.

Electrical Requirements

A remote 12V or 24V transformer required, may be ordered separately from Unique Lighting Systems®. Voltage range for 12V halogen lamps is 10.8V to 12V. Voltage range for 24V halogen lamps is 21.6V to 24V. Voltage range for **FLEX™** Series LED MR16 lamps is 10V-18V.

Lamp Connection

Specification grade, beryllium copper lamp holder. GU5.3 base.

Wiring

Exclusive UF Intelli-Flex wire with anti-moisture migration connections.

Hardware

Cast brass sphere base included.

Finish

Exclusive Weathered Brass finish is standard. Unique™ Lightings' Weathered Brass finish is a "living finish" and will naturally patina and change over time. Polyester powder coat finishes are also available (see chart above).

Warranty

The Odyssey Family of products from Unique Lighting Systems® carries a limited lifetime warranty against manufacturer's defects.

Manufacturing

Manufactured to ISO 9001-2008 Quality Systems Standard



UL 2108:2004 R12.07
CSA C22.2.9.0-96 (R2006)

UNIQUE LIGHTING SYSTEMS®

Quasar 1: 12V & 24V Brass Down Light

Down Light
Base Mounted Down Light
Odyssey™ Series

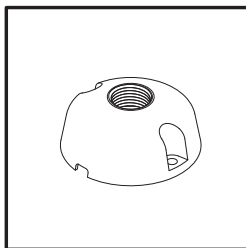


ACCESSORIES

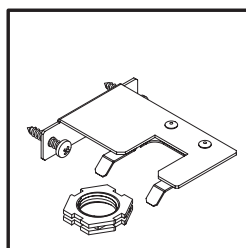
Type	Part #	Description	
*Lens	MR16AXOP	Linear Spread	1 - 15/16"
*Lens	MR16DEOP	Frosted	1 - 15/16"
*Lens	MR16VIOP	Dimpled Spread	1 - 15/16"
Lens	MR16AMBER	Amber (Sea Turtle Friendly)	1 - 15/16"
*Lens	MR16BLUE	Blue	1 - 15/16"
Lens	MR16GREEN	Green	1 - 15/16"
Lens	MR16RED	Red	1 - 15/16"
Lens	MR16YELLOW	Yellow	1 - 15/16"
*Lens	MR16HEX	Aluminum Hex Louver	1 - 15/16"
 			
*Lense Clip	16CLIP	Lens Retainer Clip	
Mounting Bracket	STRATBRACKET	Stratosphere mounting Bracket	
*Base	SPHEREBASE	Round Mounting Base	
Mounting Bracket	UNIBRACKET	Gutter Bracket	

*Included with standard fixture

COMMONLY USED WITH THIS FIXTURE:



Round Mounting Base
Part # SPHEREBASE



Stainless Steel Bracket
Part # UNIBRACKET



c US
UL 2108:2004 R12.07
CSA C22.2.9.0-96 (R2006)