

Proton: 12V Area Light

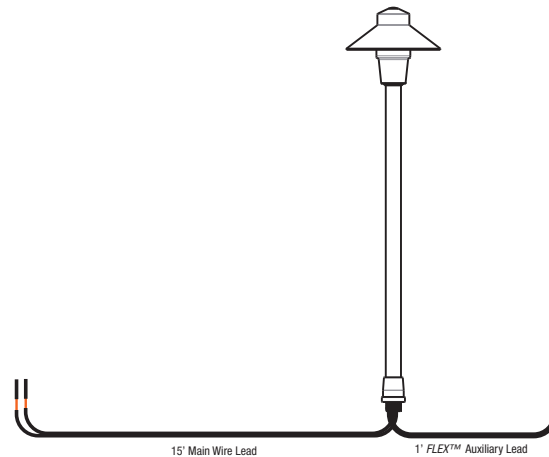
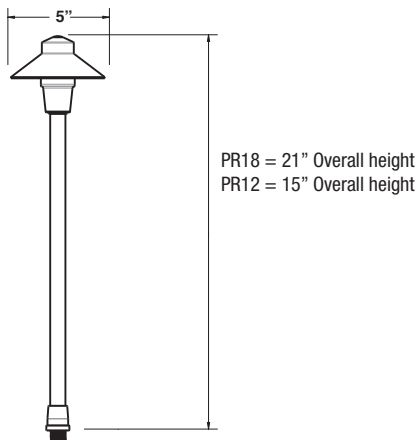
PROJECT:	
TYPE:	
CATALOG NUMBER:	
LAMP(S):	
NOTES:	

FIXTURE ORDERING INFORMATION

Example: PR18-NL-BK (Proton, 18 inch Stem, No Lamp, Black)

MODEL NAME	WATTAGE	FINISH
PR18 = 18" Stem	NL = No Lamp	BK = Black
PR12 = 12" Stem		BZ = Bronze
		TT = Tucson Tan

DIMENSIONS:



FLEX™ Unique Lighting Systems® fixtures are compatible with FLEX™ Series LEDs. FLEX™ Series LED lamps can be ordered separately.

Only available with the NL wattage option. Unique Lighting Systems® reserves the right to modify the design and/or construction of the fixture shown without further notification.

SPECIFICATIONS

Our Commitment

Unique Lighting Systems' highest commitment is to set the standard for manufacturing innovative and quality products. This commitment is evident through our detailed inspection processes and extensive field testing. From the initial design process of each product, to the final assembly of each custom-made individual part, our manufacturing process accomplishes the highest level of performance and durability carried through to final delivery to the end user. Durable construction and beautiful styling make Unique™ fixtures the ideal solution for any residential or commercial application. Unique Lighting™ already holds numerous product patents and we are constantly developing innovative ideas to help expand the lighting industry.

Materials

Crafted from Marine grade A360 alloy.

Stem

Unibody design provides enclosed, water resistant wireway. Integrated bung for maximum mechanical strength.

Collar

Formed from marine grade A360 alloy.

Shroud

Reflective Powder Coat Interior.

Lens

Shock resistant, frosted Borosilicate Glass lens.

Lamp

For use with FLEX™ Series LED lamps are available in 1W or 2W T3 lamps. LED lamps are available in 3000K color temperatures. Xenogen lamp up to 20W.

Electrical Requirements

A remote 12V transformer required, may be ordered separately from Unique Lighting Systems®. Voltage range for 12V halogen lamps is 10.8V to 12V. Voltage range for FLEX™ Series LED T3 lamps is 10V-18V.

Lamp Connection

Specification grade, nickel lamp holder. GU5.3 base.

Wiring

15' 18/2 wire lead and 1' FLEX™ Auxiliary lead. Pre-stripped Hub-ready leads for quick installation.

Mounting Stake

Composite stake with molded brass threaded insert.

Finish

E-Shield™ is the Elements™ Series five stage coating process that bonds base material with corrosion-resistant processes and finishes it with an extremely durable, polyester powder coat paint.

Warranty

The Elements™ Series of products from Unique Lighting Systems® carries a 10 year warranty against manufacturer's defects.

Manufacturing

Manufactured to ISO 9001-2008 Quality Systems Standard.



Conforms to UL 2108
CSA C22.2 No. 9