

# PAR-38

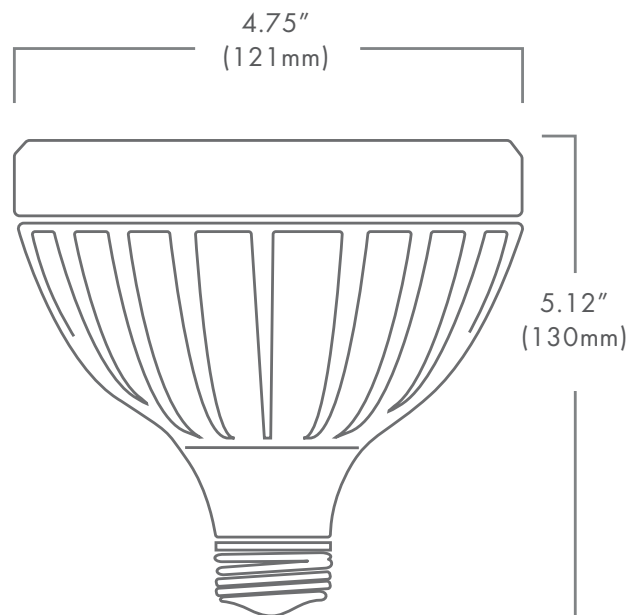
## DESCRIPTION

The Brilliance PAR-38 is designed specifically as an energy saving alternative to traditional halogen PAR lamps, making them ideal for general lighting. They can be installed into any standard E26 medium socket and are corrosion resistant.

## FEATURES

- Dimmable
- Shock and vibration resistant
- UV, NIR radiation & mercury free
- Black or white housing
- Suitable for totally enclosed fixtures
- UL & FCC compliant

|                    |                         |
|--------------------|-------------------------|
| Wattage            | <b>17</b>               |
| Lumens             | <b>800, 850, 1150</b>   |
| Beam Spread        | <b>25°, 40°</b>         |
| Kelvin Temperature | <b>2700, 3000, 5700</b> |
| Input Voltage      | <b>110-120 VAC/60hz</b> |
| Replaces           | <b>100W Halogen</b>     |
| CRI                | <b>85</b>               |
| IP                 | <b>64</b>               |
| Chipset            | <b>CREE XP-E</b>        |
| Lamp Life (hours)  | <b>35,000</b>           |
| Warranty (years)   | <b>3</b>                |



Part Number: **PAR-38-IOS-XXXX-XX-XX**

Kelvin  
Beam spread  
Housing  
Black=BL  
White=WH

