

PAR-36

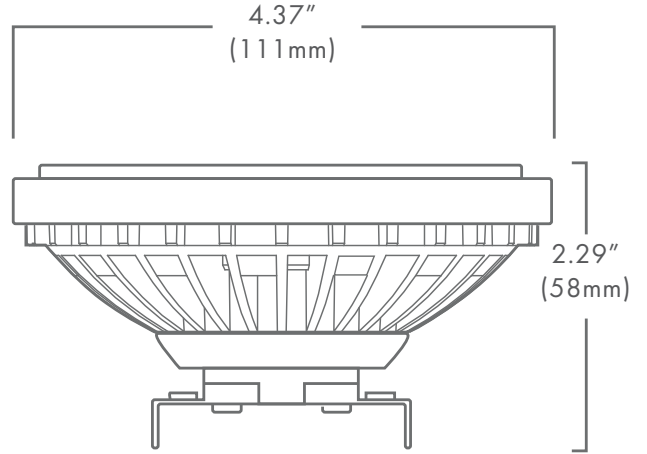
DESCRIPTION

The Brilliance LED PAR-36 LED lamp is designed specifically to better fit into standard, low voltage, MR-8 fixtures and have longer lamp life. These LED's are thermally engineered to operate in enclosed fixtures and provide added security by automatically cooling down, and reducing lumen output when exposed to extreme heat (air temperatures above 125°F). There is no color shift when lumen output is reduced

FEATURES

- Gen 5 earth tone colored housing
- Dimmable with most magnetic transformers
- Enhanced ESD (Electro-Static Discharge) protection (IEC-61000-4-2)
- Heat overload protection technology
- Fully potted PC board
- UL & FCC compliant

Wattage	4, 7, 11, 15
Beam Spread	15°, 30°, 60°, 120°
Color	Red, Green, Blue, Amber (7&11W only) Silver Green
Kelvin Temperature	2200, 2700, 3000, 5700
Operating Range	8-25 VAC
Replaces	20/35/50W Halogen
CRI	85
IP	68
Chipset	CREE
Lamp Life (hours)	50,000
Warranty (years)	5



Part Number: **PAR36-X-XXXX-XXX**

Wattage | Kelvin/Color | Beam spread



	2200K	2700K	3000K	5700K
4W	NA	435	470	520
7W	600	675	700	800
11W	800	900	950	1150
15W	1100	1430	1530	1650