

# PAR-36

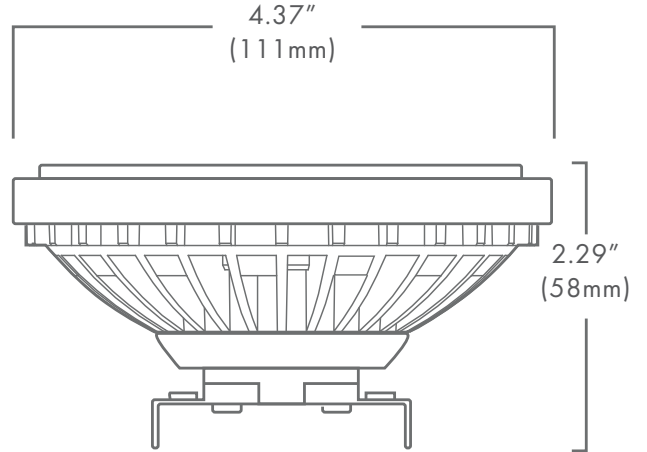
## DESCRIPTION

The Brilliance LED PAR-36 LED lamp is designed specifically to better fit into standard, low voltage, PAR-36 fixtures and have longer lamp life. These LED's are thermally engineered to operate in enclosed fixtures and provide added security by automatically cooling down, and reducing lumen output when exposed to extreme heat (air temperatures above 125°F). There is no color shift when lumen output is reduced

## FEATURES

- Gen 5 earth tone colored housing
- Dimmable with most magnetic transformers
- Enhanced ESD (Electro-Static Discharge) protection (IEC-61000-4-2)
- Heat overload protection technology
- Fully potted PC board
- UL & FCC compliant

|                    |                                                              |
|--------------------|--------------------------------------------------------------|
| Wattage            | <b>4, 7, 11, 15</b>                                          |
| Beam Spread        | <b>15°, 30°, 60°, 120°</b>                                   |
| Color              | <b>Red, Green, Blue, Amber (7&amp;11W only) Silver Green</b> |
| Kelvin Temperature | <b>2200, 2700, 3000, 5700</b>                                |
| Operating Range    | <b>8-25 VAC</b>                                              |
| Replaces           | <b>20/35/50W Halogen</b>                                     |
| CRI                | <b>85</b>                                                    |
| IP                 | <b>68</b>                                                    |
| Chipset            | <b>CREE</b>                                                  |
| Lamp Life (hours)  | <b>50,000</b>                                                |
| Warranty (years)   | <b>5</b>                                                     |



Part Number: **PAR36-X-XXXX-XXX**

Wattage | Kelvin/Color | Beam spread



|            | <b>2200K</b> | <b>2700K</b> | <b>3000K</b> | <b>5700K</b> |
|------------|--------------|--------------|--------------|--------------|
| <b>4W</b>  | NA           | 435          | 470          | 520          |
| <b>7W</b>  | 600          | 675          | 700          | 800          |
| <b>11W</b> | 800          | 900          | 950          | 1150         |
| <b>15W</b> | 1100         | 1430         | 1530         | 1650         |