

# PAR-30

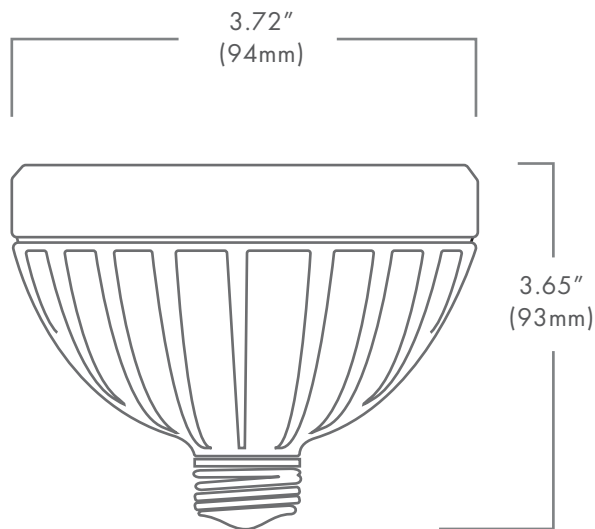
## DESCRIPTION

The Brilliance PAR-30 is designed specifically as an energy saving alternative to traditional halogen PAR lamps, making them ideal for general lighting. They can be installed into any standard E26 medium socket and are corrosion resistant.

## FEATURES

- Dimmable
- Shock and vibration resistant
- UV, NIR radiation & mercury free
- Black & white housing
- Suitable for totally enclosed fixtures
- UL & FCC compliant

Wattage	<b>12</b>
Lumens	<b>620, 730, 800</b>
Beam Spread	<b>25°, 40°</b>
Kelvin Temperature	<b>2700, 3000, 5700</b>
Input Voltage	<b>110-120 VAC/60Hz</b>
Replaces	<b>75W Halogen</b>
CRI	<b>83</b>
IP	<b>64</b>
Chipset	<b>CREE XP-E</b>
Lamp Life (hours)	<b>35,000</b>
Warranty (years)	<b>3</b>



Part Number: **PAR-30-IOS-XXXX-XX-XX**

