

ORION 4: 12V & 24V Brass Wall Sconce Light

PROJECT:	
TYPE:	
CATALOG NUMBER:	
LAMP(S):	
NOTES:	

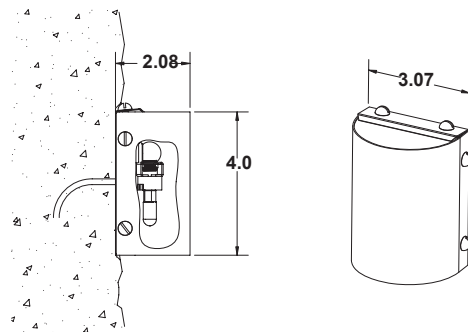
FIXTURE ORDERING INFORMATION

Example: ORO4-NL-0-6P (Orion, 4" Tall, No Lamp, 3' Wire Lead, Weathered Brass, 6 Pack)

MODEL NAME	VOLTAGE	WATTAGE	WIRE LENGTH	FINISH	OPTIONS
ORO4	12=12 Volt 24=24 Volt	20= 20W Xelogen NL= No Lamp	Leave blank for standard 25' length * 0= 3' wire lead * 50= 50' wire lead	leave blank for standard WB finish P= Standard powder coat finishes. List your desired color in the order comments area.	* 6P= Six Pack

NOTE: For additional painted finishes or six pack options contact our factory.

DIMENSIONS:



Powder Coated Finishes

Tucson Tan	TT
White**	WH
Black	BK
Verde Green	VG
Titanium Knight	TK

Standard Finish

Weathered Brass	
-----------------	--

Stock powder coated colors displayed are subject to varying lead-times and will incur an additional cost. A Limited Warranty applies to all powder coated products. Custom colors are available upon request. Please inquire about cost and lead times. Contact factory for custom colors and matching paint options.

FLEX™ Unique Lighting Systems® fixtures are available with LED lamps. Please specify the lamp code when ordering.

* Only available with the NL wattage option.

** This fixture is available in White with No Lamp at no upcharge with a seven day lead time.

Unique Lighting Systems® reserves the right to modify the design and/or construction of the fixture shown without further notification.

SPECIFICATIONS

Our Commitment

Unique Lighting Systems' highest commitment is to set the standard for manufacturing innovative and quality products. This commitment is evident through our detailed inspection processes and extensive field testing. From the initial design process of each product, to the final assembly of each custom-made individual part, our manufacturing process accomplishes the highest level of performance and durability carried through to final delivery to the end user. Durable construction and beautiful styling make Unique fixtures the ideal solution for any residential or commercial application. Unique Lighting™ already holds numerous product patents and we are constantly developing innovative ideas to help expand the lighting industry.

Materials

Crafted from brass.

Body

Fully stamped brass.

Lens

Comes with two shock resistant, tempered glass lenses. Frosted and clear supplied for your application.

Lamp

For use with a halogen lamp up to 20W max. **FLEX™** Series LED lamps are available in 1W or 2W T3 lamps. LED lamps are available in 3000K color temperatures. **FLEX™** Series LED lamps sold separately.

Electrical Requirements

A remote 12V or 24V transformer required, may be ordered separately from Unique Lighting Systems®. Voltage range for 12V halogen lamps is 10.8V to 12V. Voltage range for 24V halogen lamps is 21.6V to 24V. Voltage range for 12V **FLEX™** Series LED lamps is 10V-18V.

Socket

Specification grade, beryllium copper lamp holder. GU5.3 base.

Wiring

Exclusive UF Intelli-Flex wire with anti-moisture migration connections.

Mounting Hardware

Mounting hardware, screws and anchors.

Finish

Exclusive Weathered Brass finish is standard. Unique™ Lightings' Weathered Brass finish is a "living finish" and will naturally patina and change over time. Polyester powder coat finishes are also available (see chart above).

Warranty

The Odyssey Family of products from Unique Lighting Systems® carries a limited lifetime warranty against manufacturer's defects.

Manufacturing

Manufactured to ISO 9001-2008 Quality standard.



UL 2108:2004 R12.07
CSA C22.2.9.0-96 (R2006)