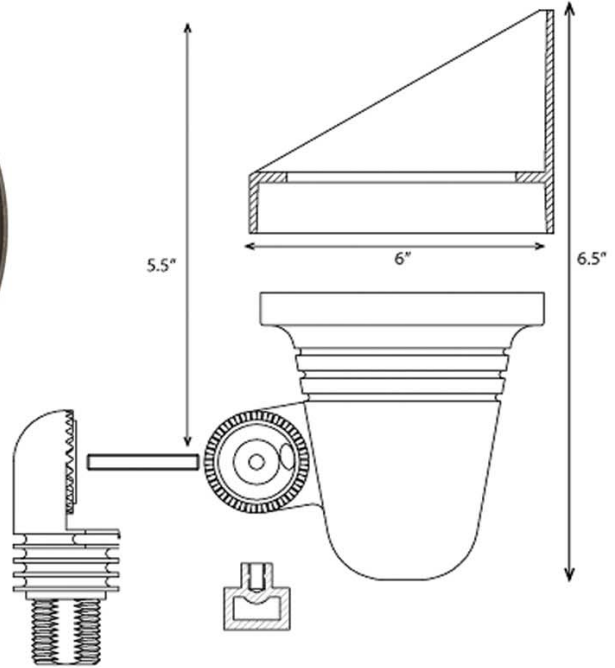


# LV75L

# LAFAYETTE



## FINISHES



TREE MOUNT OPTIONAL



6", 12", 18", 24"  
EXTENSIONS



PVC SPIKE  
GROUND STAKE



BULB	BI-PIN	CONSTRUCTION	DIE CAST BRASS
MAX WATTAGE	10W	IP CODE	65
POWER	12V TRANSFORMER	WEIGHT	4.23 LBS
BULK BOX QUANTITY	5	BULK BOX WEIGHT	21.16 LBS
HEIGHT	6.5"	WIRING	18" OF #18-2, SPT-1W LEADS
DEPTH	5.5"	WARRANTY	LIFETIME
WIDTH	6"	MOUNTING	PVC STAKE