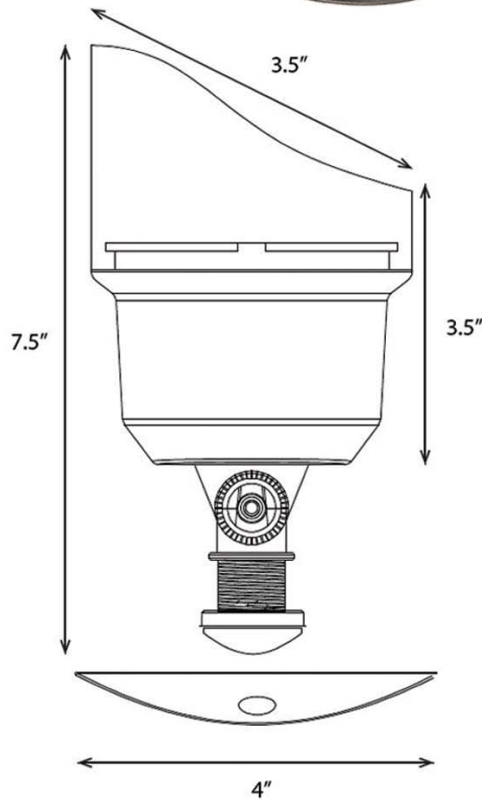
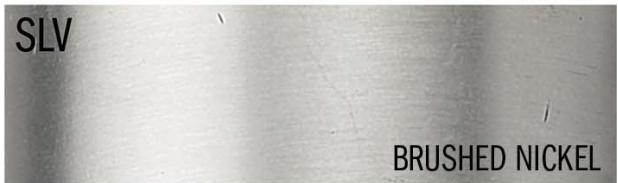


LV71

TUCSON



FINISHES



BULB	MR16	CONSTRUCTION	DIE CAST BRASS
MAX WATTAGE	50W	IP CODE	65
POWER	12V TRANSFORMER	WEIGHT	3.5 LBS
BULK BOX QUANTITY	5	BULK BOX WEIGHT	17.5 LBS
HEIGHT	3.5"	WIRING	18" OF #18-2, SPT-1W LEADS
DEPTH	7.5"	WARRANTY	LIFETIME
WIDTH	3.5"	FEATURES	4" DEEP CANOPY