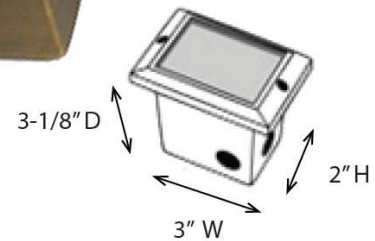
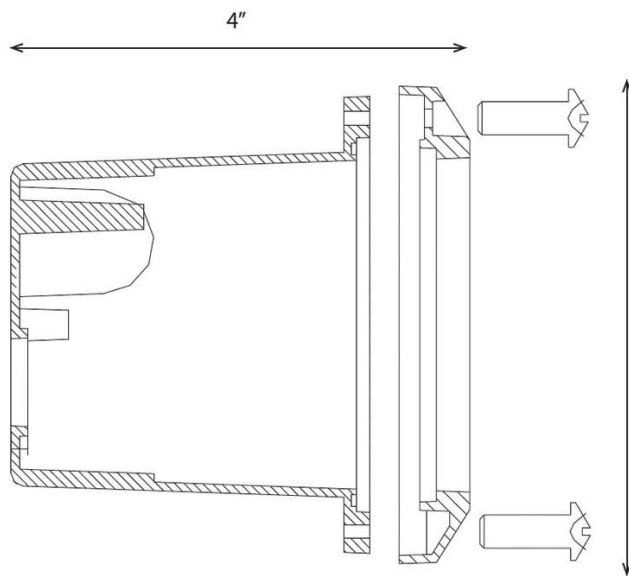
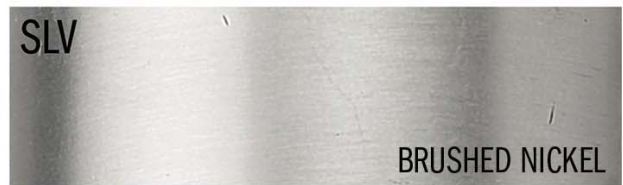


LV58

BAKERSFIELD



FINISHES



BULB	WEDGE BASE	CONSTRUCTION	DIE CAST BRASS
MAX WATTAGE	18W	IP CODE	65
POWER	12V TRANSFORMER	WEIGHT	3.5 LBS
BULK BOX QUANTITY	5	BULK BOX WEIGHT	17.5 LBS
HEIGHT	3"	WIRING	18" OF #18-2, SPT-1W LEADS
DEPTH	4"	WARRANTY	LIFETIME
WIDTH	4.5"	MOUNTING	FLUSH