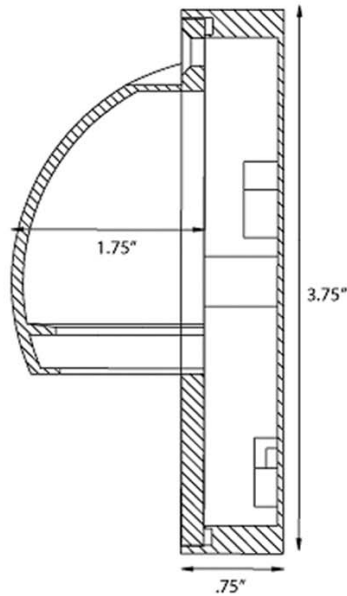
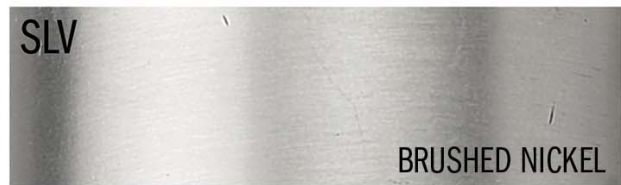


LV50

MALIBU



FINISHES



BULB	BI-PIN	CONSTRUCTION	DIE CAST BRASS
MAX WATTAGE	10W	IP CODE	65
POWER	12V TRANSFORMER	WEIGHT	1 LBS
BULK BOX QUANTITY	10	BULK BOX WEIGHT	10 LBS
HEIGHT	1.5"	WIRING	18" OF #18-2, SPT-1W LEADS
DEPTH	1.5"	WARRANTY	LIFETIME
WIDTH	4"	MOUNTING	SURFACE