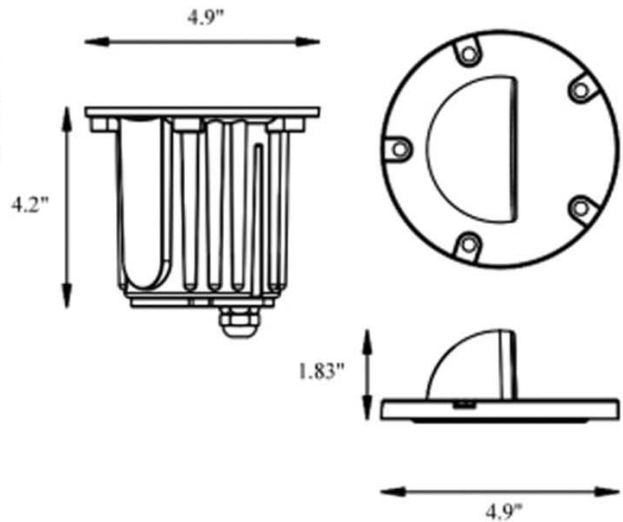


LV39

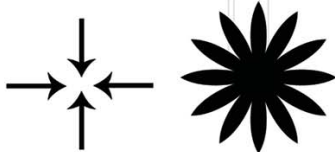
VALLEJO



FINISHES



MINIATURE ADJUSTABLE LAMP BRACKET



BULB	MR16	CONSTRUCTION	DIE CAST BRASS
MAX WATTAGE	50W	IP CODE	65
POWER	12V TRANSFORMER	WEIGHT	2 LBS
BULK BOX QUANTITY	10	BULK BOX WEIGHT	20 LBS
HEIGHT	5"	WIRING	18" OF #18-2, SPT-1W LEADS
DEPTH	5"	WARRANTY	LIFETIME
WIDTH	5"	HOUSING	SEALED ABS