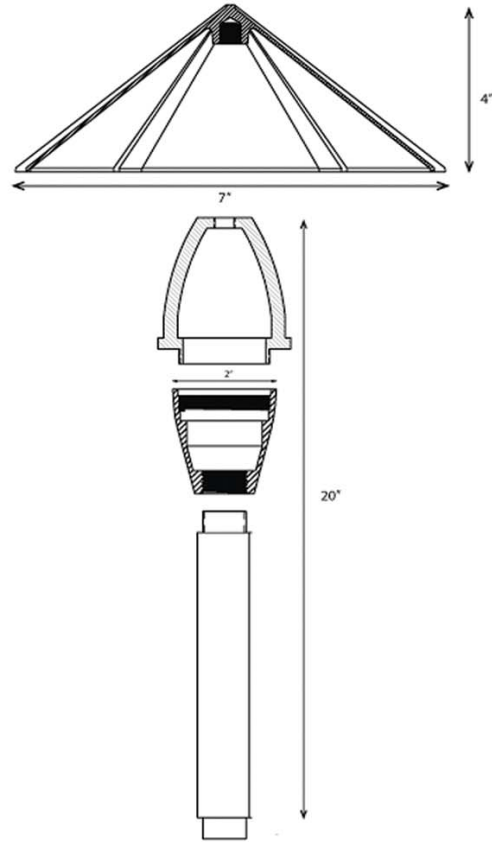


MIAMI

LV32



FINISHES



TREE MOUNT OPTIONAL



6", 12", 18", 24"
EXTENSIONS



PVC SPIKE
GROUND STAKE



BULB	SINGLE CONTACT BAYONET	CONSTRUCTION	DIE CAST BRASS
MAX WATTAGE	18W	IP CODE	65
POWER	12V TRANSFORMER	WEIGHT	3.67 LBS
BULK BOX QUANTITY	6	BULK BOX WEIGHT	22.05 LBS
HEIGHT	20"	WIRING	18" OF #18-2, SPT-1W LEADS
DEPTH	7"	WARRANTY	LIFETIME
WIDTH	7"	MOUNTING	PVC STAKE