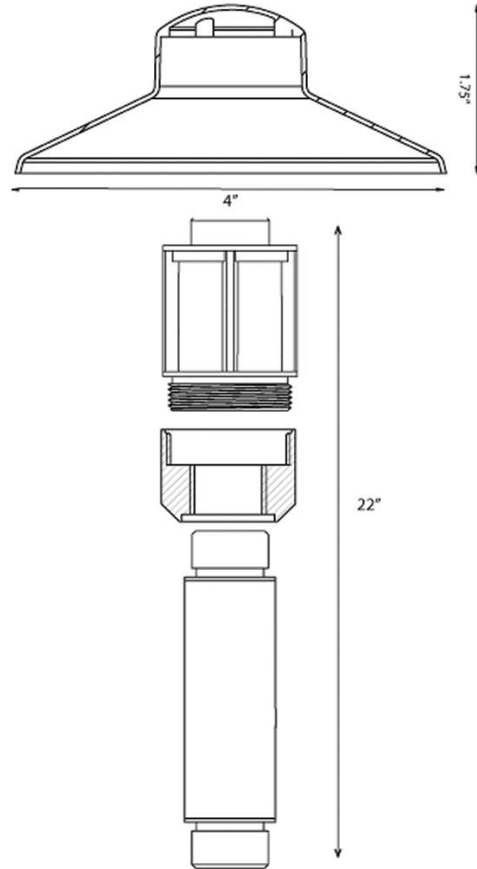


# SEATTLE

# LV22



## FINISHES



TREE MOUNT OPTIONAL



6", 12", 18", 24"  
EXTENSIONS



PVC SPIKE  
GROUND STAKE



BULB  
MAX WATTAGE  
POWER  
BULK BOX QUANTITY  
HEIGHT  
DEPTH  
WIDTH

BI-PIN  
10W  
12V TRANSFORMER  
5  
22"  
4"  
4"

CONSTRUCTION  
IP CODE  
WEIGHT  
BULK BOX WEIGHT  
WIRING  
WARRANTY  
MOUNTING

DIE CAST BRASS  
65  
2.56 LBS  
12.79 LBS  
18" OF #18-2, SPT-1W LEADS  
LIFETIME  
PVC STAKE