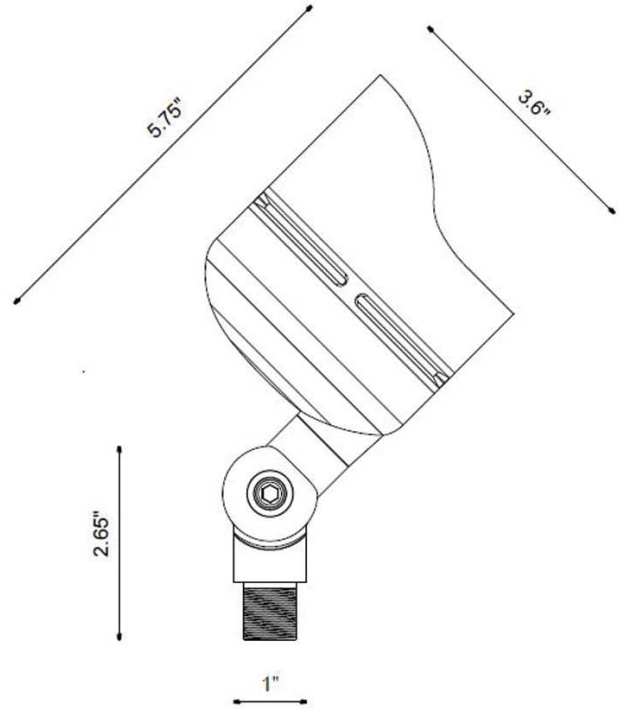


# GEMINI

# LV101AB-LED



## FINISHES



BUILT-IN LED



TREE MOUNT  
OPTIONAL



RISERS  
OPTIONAL



PVC  
STAKE



LIGHT SOURCE  
COLOR TEMPERATURE  
LUMEN  
CRI  
EFFICIENCY  
POWER WATTAGE  
INPUT VOLTAGE  
POWER FACTOR <PE>  
BEAM SPREAD

CREE XTE  
2700K  
750LM  
>80  
62LM/W  
12W  
AC 11-18V  
0.7  
35, 60°

CONSTRUCTION  
WIRING  
IP CODE  
LIFESPAN  
MOUNTING  
POWER  
WEIGHT  
BULK BOX QUANTITY  
BULK BOX WEIGHT

DIE CAST BRASS  
18" OF #18-2, SPT-1W LEADS  
65  
40,000 HOURS  
PVC STAKE  
12V TRANSFORMER  
2.7 LBS  
10  
27 LBS