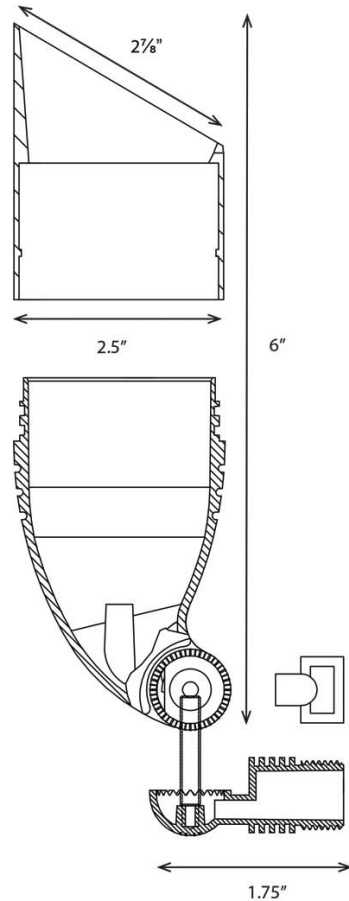


LV07



HIGHLAND



FINISHES



TREE MOUNT OPTIONAL



6", 12", 18", 24"
EXTENSIONS



PVC SPIKE
GROUND STAKE



BULB	MR16	CONSTRUCTION	DIE CAST BRASS
MAX WATTAGE	50W	IP CODE	65
POWER	12V TRANSFORMER	WEIGHT	2.2 LBS
BULK BOX QUANTITY	5	BULK BOX WEIGHT	11.02 LBS
HEIGHT	7"	WIRING	18" OF #18-2, SPT-1W LEADS
DEPTH	6"	WARRANTY	LIFETIME
WIDTH	2.5"	MOUNTING	PVC STAKE