

# UNIQUE LIGHTING SYSTEMS®



## CHANGING THE WAY YOU SEE **COLOR**

- Direct drop-in RGBW MR16 5 watt **Gen 2** LED lamp featuring **3X** more color output!
- Direct drop-in RGBW PAR36 10 watt LED lamp
- App controlled via Bluetooth®\* with improved range
- 2700K or / Red/Green/Blue adjustability
- 3000K or / Red/Green/Blue adjustability
- Red, green, blue color mixing LED diodes
- Input power 12VAC



**VIVID**  
FLEX GOLD™ VIVID SERIES



\* Bluetooth is a registered trademark of Bluetooth SIG, Inc. in the US and other countries.



# UNIQUE

LIGHTING SYSTEMS®

**Lamps**  
MR16 & PAR36 LED Lamp  
*FLEX GOLD™ VIVID Series*

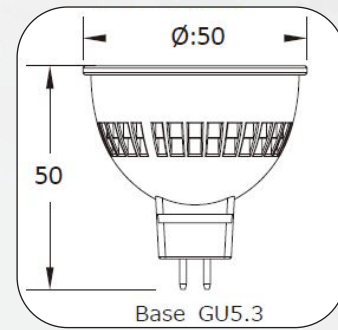


## Gen 2 MR16 LED Lamp

**TYPE:** MR16 - RGBW  
**POWER:** 5 Watt  
**CONTROL:** Bluetooth, app controlled  
**VOLTAGE RANGE:** 10 -18 VAC  
**LUMEN:** Dimmable from 10 to 420 lumen  
**LAMP LIFE:** 40,000 hr.  
**BEAM SPREAD:** 40° Flood  
**VOLT AMPS:** 7.3  
**COLOR TEMP.:** 2700K or / Red/Green/Blue adjustability  
3000K or / Red/Green/Blue adjustability

### Dimensions:

All dimensions in mm.

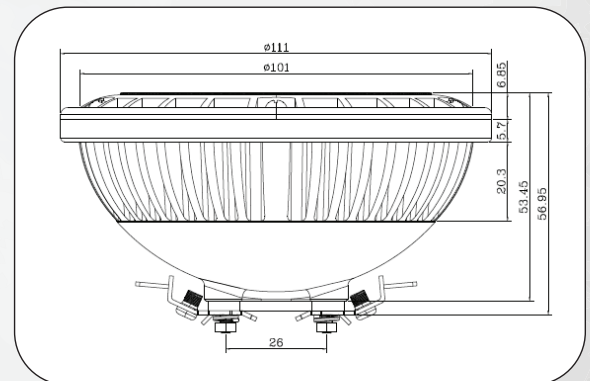


## PAR36 LED Lamp

**TYPE:** PAR36 - RGBW  
**POWER:** 10 Watt  
**CONTROL:** Bluetooth, app controlled  
**VOLTAGE RANGE:** 10 -18 VAC  
**LUMEN:** Dimmable from 10 to 800 lumen  
**LAMP LIFE:** 40,000 hr.  
**BEAM SPREAD:** 20°, 40°, 60°  
**VOLT AMPS:** 14.3  
**COLOR TEMP.:** 2700K or / Red/Green/Blue adjustability  
3000K or / Red/Green/Blue adjustability

### Dimensions:

All dimensions in mm.



### MODEL NUMBER

**MR16**  
LED-5W-BM6F-RGB27K  
LED-5W-BM6F-RGB30K

**PAR36**  
LED10W-AP6F-RGB27  
LED10W-AP6F-RGB30  
LED10W-AP6S-RGB30  
LED10W-AP6W-RGB30  
LED10W-AP6S-RGB27  
LED10W-AP6W-RGB27

### LAMP FACTS

- 80 % more efficient than halogen equivalent
- LED produces zero UV
- Mercury free
- 82 or above CRI (Color Rendering Index)
- Red - Lightwave 600NM
- Green - Lightwave 553NM
- Blue - Lightwave 468NM
- Five year warranty

*FLEX GOLD™ VIVID* app available on:



\* Android™ and the Android™ logo are trademarks or registered trademarks of Google Inc.  
\* iOS® is a trademark or registered trademark of Cisco in the U.S. and other countries.