

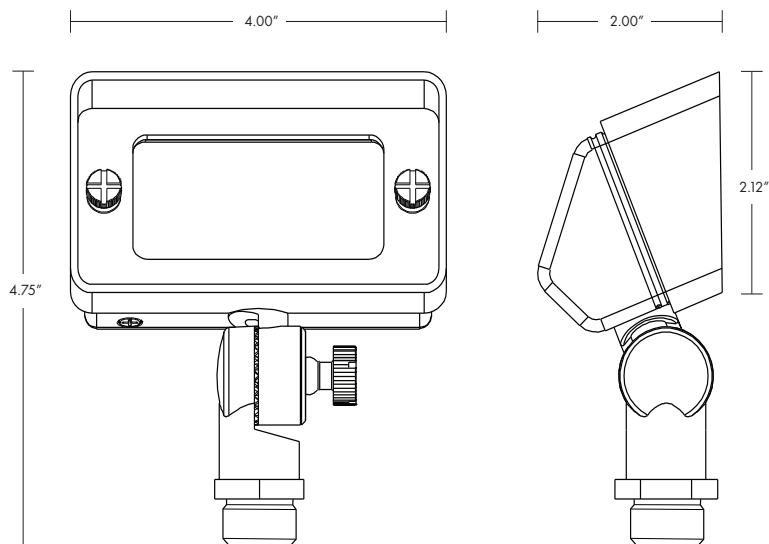
ECO SERIES WALL WASH

DESCRIPTION

The Eco Series Wall Wash comes with a G4 Rectangular Wafer (3W 2700K 120° 270 Lumens) and is ready to install right out of the box with a frosted glass lens. There are three glass lenses from which to choose for the desired effect. The frosted and glass lenses offer a 98° horizontal beam spread and the prism lens expands the horizontal beam spread to 114°. The spun brass construction features a baked enamel finish. The Eco Wall Wash features an adjustment system which allows for 18 points of articulation of the knuckle.

ECO SERIES WALL WASH

Use	Uplighting, Grazing, and Backlighting Techniques. Best for Low Level Wall Wash
Finish	Blackened Brass Baked Enamel
Includes	Lamp, Frosted Glass Lens, Clear Glass Lens, Prism Glass Lens, and ABS Mounting Stake
Order with Lamp	G4 Rectangular Wafer, 3W, 2700K, 120°, 270 Lumens ECO-WW-G4-WAFER



Blackened Brass
Baked Enamel



ECO-WW-G4-WAFER

SOFT SOIL APPLICATIONS: INSTALLING THE GROUND STAKE & FIXTURE

1. Connect the power cable from the fixture body to the landscape cable.
2. Lay the power cable into the slotted relief on the stake.
3. Press the fixture and stake into the ground.
4. Use a level to ensure the top of the stake is level with the ground.

HARD SOIL APPLICATIONS: INSTALLING THE GROUND STAKE & FIXTURE

1. Unscrew the fixture body from the stake.
2. Dig a hole approximately 4" wide by 10" deep and gently tap the stake into the ground with a rubber mallet.
3. Use a level to ensure the top of the stake is level with the ground.
4. Reinstall the fixture body onto the stake and lay the power cable into the slotted relief on the stake.
5. Connect the power cable from the fixture body to the landscape cable.

ADJUSTING THE FIXTURE

1. Turn the thumbnut counter-clockwise to loosen the knuckle.
2. Rotate the fixture vertically to the preferred position.
3. Turn the thumbnut clockwise to hold it in the preferred position. Adjusting the fixture allows for dark sky ordinance applications.

CHANGING OUT LENSES

1. Use a screwdriver to remove the two screws and then remove the lens cover.
2. Remove the lense from the gasket and place the new lens in the gasket.
3. Reattach the two screws to the lens cover and tighten.