

SPECIFICATION SHEET

PRODUCT # : CL-735B-T-AB

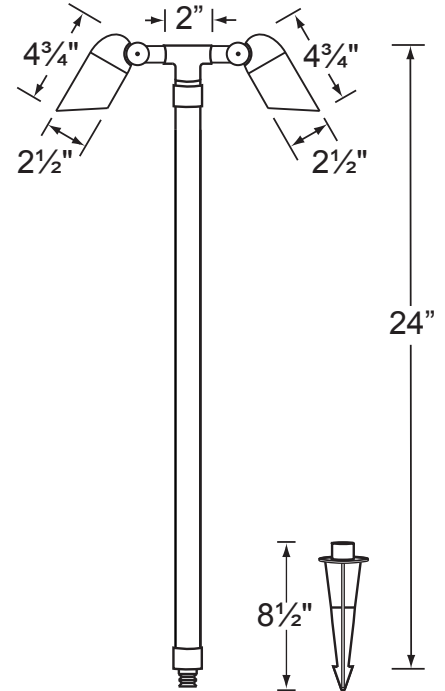
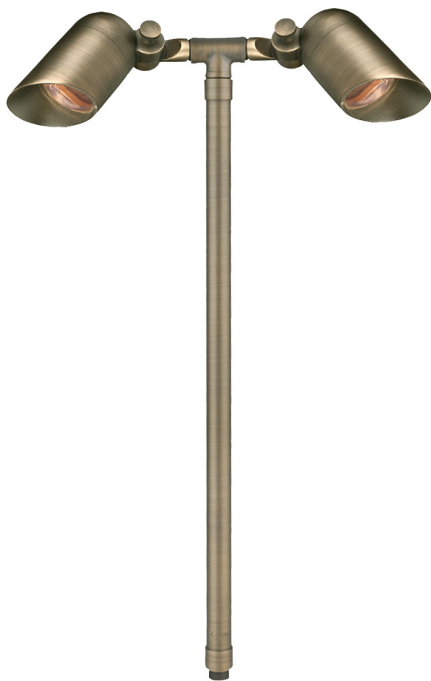
•Path Lights

•Cast Brass

Fixture Specifications:

Housing & Shroud: Corrosion Resistant Cast Brass.
Stem: Solid brass pipe with 1/2" NPT on bottom.
Finish: **AB- Antique Bronze.** Natural toning process. AB finish will vary due to artistic process.
Lens: Clear and heat resistant convex glass.
Socket: Top grade fixed ceramic bi-pin socket, with retention clip to securely hold lamp in place.
Lamp: 12V, MR-16 halogen, 2x50W max. L-BAB-C20 (2x20w) standard. LED lamps available in 3.5W and 5W-2700K color temperature. Available in 15°, 45°, 60° beam spreads for Cree and 45° for Epistar brands.
Gasket: Silicone double gasketed for water tight sealing
Knuckle: Adjustable cast brass knuckle with thumb screw.

Wiring: Fixture is prewired with a 18-2 SPT2-W direct burial cord. Wire connector available separately. Universal connector CX-839 or gel filled wire nut CX-854 may be ordered to Corona Lighting.
Mounting Spike: Standard injection molded spike with 1/2" NPT threaded female hub.
Electrical Notes: A remote 12V transformer required, may be ordered to Corona Lighting separately. Voltage range for 12V halogen lamps are 11V-12.5V. Voltage range for LED lamps are 9V-17V. Proper grease/lubricant is suggested on threaded parts during installation process.
Warranty: Limited lifetime warranty on fixture housing and stem against manufacturer's defects.



3.5W and 5W

MOST COMMON ACCESSORIES USED WITH THIS FIXTURE



Mounting Stems

CX-682B-AB 6"
 CX-683B-AB 12"
 CX-684B-AB 18"
 CX-685B-AB 24"
AB - Antique Bronze



Mounting Canopy

CX-709B-AB
AB- Antique Bronze



Mounting Pedestal

CX-603-BK
BK - Black

JOB INFORMATION

TYPE: DATE:

JOB NAME & ADDRESS:

PRODUCT #:

TOTAL QUANTITY:

LAMP TYPE & WATTAGE:

TRANSFORMER:

CONTRACTOR:

SPECIFIER: