

# SPECIFICATION SHEET

## PRODUCT # : CL-722B-T-AB

•Path Lights

•Solid Brass

### Fixture Specifications:

**Housing & Shrouds:** Corrosion Resistant Solid Brass.

**Stem:** Solid brass pipe with 1/2" NPT on bottom.

**Finish:** **AB- Antique Bronze.** Natural toning process. AB finish will vary due to artistic process.

**Lens:** Clear and heat resistant convex glass.

**Socket:** Top grade loose ceramic bi-pin socket, spring loaded design.

**Lamp:** 12V, MR-16 halogen, 2x35W max. L-BAB-C20 (2x20w) standard. LED lamps available in 3.5W and 5W- 2700K color temperature. Available in 15°, 45°, 60° beam spreads for Cree and 45° for Epistar brands.

**Gasket:** Silicone gasket for water tight sealing

**Knuckle:** Adjustable cast brass knuckle with thumb screw

**Wiring:**

Fixture is prewired with a 18-2 SPT2-W direct burial cord. Wire connector available separately. Universal connector CX-839 or gel filled wire nut CX-854 may be ordered to Corona Lighting.

**Mounting Spike:**

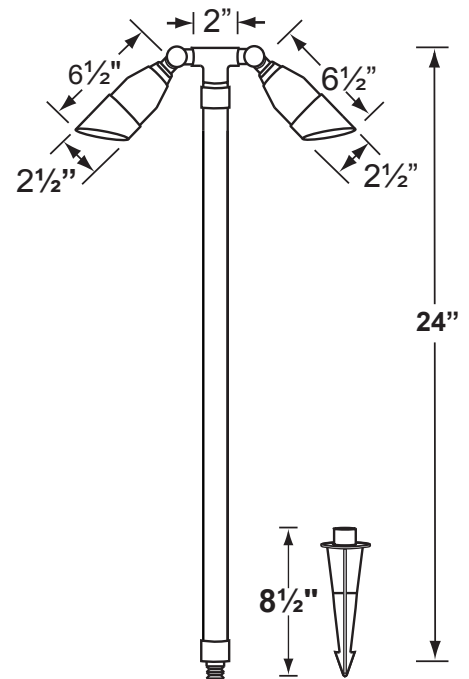
Standard injection molded spike with 1/2" NPT threaded female hub.

**Electrical Notes:**

A remote 12V transformer required, may be ordered to Corona Lighting separately. Voltage range for 12V halogen lamps are 11V-12.5V Voltage range for LED lamps are 9V-17V. Proper grease/lubricant is suggested on threaded parts during installation process.

**Warranty:**

Limited lifetime warranty on fixture housing and stem against manufacturer's defects.



**LED**  
3.5W and 5W

### MOST COMMON ACCESSORIES USED WITH THIS FIXTURE



**Mounting Stems**

- CX-682B-AB 6"
- CX-683B-AB 12"
- CX-684B-AB 18"
- CX-685B-AB 24"
- AB - Antique Bronze**



**Mounting Canopy**

- CX-709B-AB
- AB- Antique Bronze**



**Mounting Pedestal**

- CX-603-BK
- BK - Black**

### JOB INFORMATION

TYPE: DATE:

JOB NAME & ADDRESS:

PRODUCT #:

TOTAL QUANTITY:

LAMP TYPE & WATTAGE:

TRANSFORMER:

CONTRACTOR:

SPECIFIER: