

SPECIFICATION SHEET

PRODUCT # : CL-645B-AB

•Area Lights

•Cast Brass

Fixture Specifications:

Housing: Brass shades, adjustable in height for light control.

Stem: Solid brass pipe with 1/2" NPT on bottom.

Finish: **AB- Antique Bronze.** Natural toning process. AB finish will vary due to artistic process.

Lens: Clear glass, cover over lamp providing sprinkler water protection. Frosted lens available.

Socket: S.C. Bayonet socket, easy tool free lamp access.

Lamp: 12V, S.C. bayonet, 27W max. L-SCB-1141 (18w) standard. LED lamps available in 1W - 3000k color temperature. Xenon and halogen lamps available.

Gasket: Silicone "O" ring gasket seals lens to socket housing for water tight sealing.

Wiring:

Fixture is prewired with a 18-2 direct burial cord. Wire connector available separately. Universal connector CX-839 or gel filled wire nut CX-854 may be ordered to Corona Lighting.

Mounting Spike:

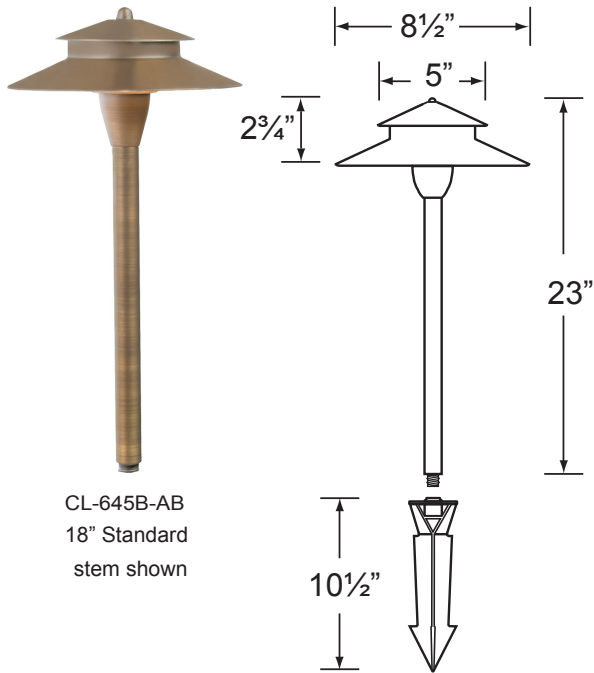
Standard injection molded spike with 1/2" NPT threaded female hub.

Electrical Notes:

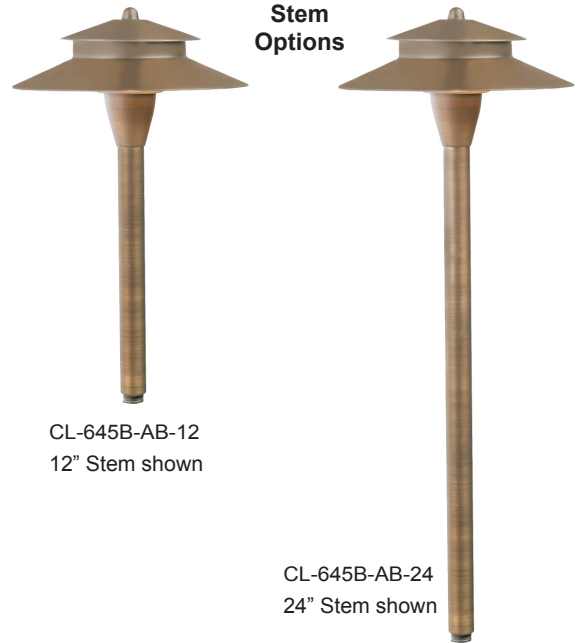
A remote 12V transformer required, may be ordered to Corona Lighting separately. Proper grease/lubricant is suggested on threaded parts during installation process.

Warranty:

Limited lifetime warranty on fixture housing and stem against manufacturer's defects.



CL-645B-AB
18" Standard stem shown



MOST COMMON ACCESSORIES USED WITH THIS FIXTURE



Mounting Stems

- CX-682B-AB 6"
- CX-683B-AB 12"
- CX-684B-AB 18"
- CX-685B-AB 24"
- AB - Antique Bronze



Mounting Canopy

- CX-709B-AB
- AB- Antique Bronze



Mounting Pedestal

- CX-603-BK
- BK - Black

JOB INFORMATION

TYPE: _____ DATE: _____

JOB NAME & ADDRESS: _____

PRODUCT #:

TOTAL QUANTITY:

LAMP TYPE & WATTAGE:

TRANSFORMER:

CONTRACTOR:

SPECIFIER:

• Corona Lighting reserves the right to make any change and/or improvement to the design and construction of this fixture without further notification.