

SPECIFICATION SHEET

PRODUCT # : CL-540C-RC

•Directional Lights

•Solid Copper

Fixture Specifications:

Housing & Shroud: Corrosion Resistant Solid Copper.

Finish: RC- Raw Copper. Will age gradually over time.

Lens: Clear and heat resistant tempered flat glass.

Socket: Top grade loose ceramic bi-pin socket, spring loaded design.

Lamp: 12V, MR-16 halogen, 35W max. L-BAB-C20 (20w) standard. LED lamps available in 3.5W and 5W-2700K color temperature. Available in 15°, 45°, 60° beam spreads for Cree and 45° for Epistar brands.

Wiring: Fixture is prewired with a 3-ft 18-2 SPT2-W direct burial cord. Wire connector available separately, Universal connector CX-839 or gel filled wire nut CX-854 may be ordered to Corona Lighting.

Gasket: Silicone double gasketed for water tight sealing

Knuckle: Adjustable cast brass knuckle with thumb screw and 1/2" NPT threaded male hub on bottom.

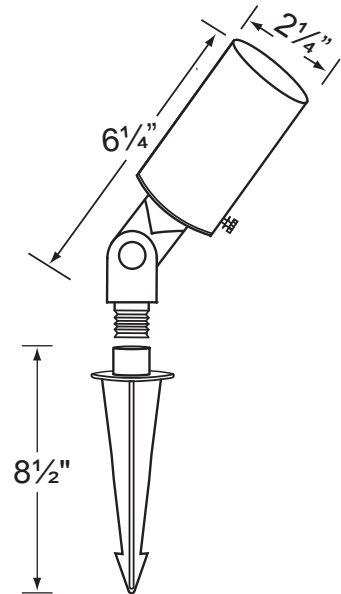
Mounting Spike: Standard injection molded spike with 1/2" NPT threaded female hub.

Electrical Notes: A remote 12V transformer required, may be ordered to Corona Lighting separately. Voltage range for 12V halogen lamps are 11V-12.5V. Voltage range for LED lamps are 9V-17V. Proper grease/lubricant is suggested on threaded parts during installation process.

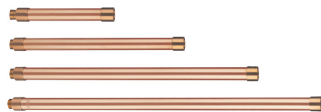
Warranty: Limited lifetime warranty on fixture housing against manufacturer's defects.



LED
3.5W and 5W



MOST COMMON ACCESSORIES USED WITH THIS FIXTURE



Mounting Stems

- CX-682C-RC 6"
- CX-683C-RC 12"
- CX-684C-RC 18"
- CX-685C-RC 24"
- RC - Raw Copper



Mounting Canopy

- CX-709B-BR
- BR- Natural Brass



Mounting Pedestal

- CX-603-BK
- BK - Black

JOB INFORMATION

TYPE: _____ DATE: _____

JOB NAME & ADDRESS: _____

PRODUCT #:

TOTAL QUANTITY:

LAMP TYPE & WATTAGE:

TRANSFORMER:

CONTRACTOR:

SPECIFIER: