

SPECIFICATION SHEET

PRODUCT # : CL-535B-AB

•Directional Lights

•Cast Brass

Fixture Specifications:

Housing & Shroud: Corrosion Resistant Cast Brass.

Finish: **AB- Antique Bronze.** Natural toning process. AB finish will vary due to artistic process.

Lens: Clear and heat resistant convex glass.

Socket: Top grade fixed ceramic bi-pin socket, with lamp retention clip to securely hold lamp in place.

Lamp: 12V, MR-16 halogen, 50W max. L-BAB-C20 (20w) standard. LED lamps available in 3.5W and 5W - 2700K color temperature. Available in 15°, 45°, 60° beam spreads for Cree and 45° for Epistar brands.

Wiring: Fixture is prewired with a 3-ft 18-2 SPT2-W direct burial cord. Wire connector available seperately, Universal connector CX-839 or gel filled wire nut CX-854 may be ordered to Corona Lighting.

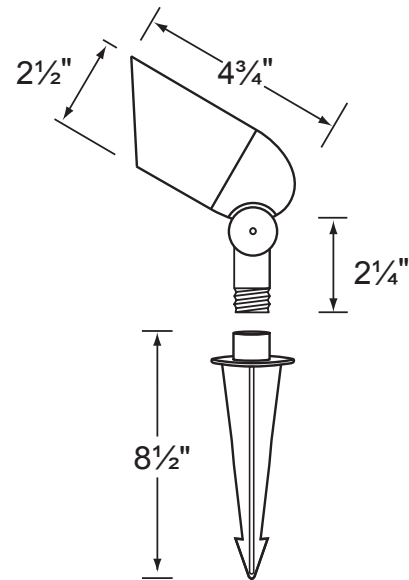
Gasket: Silicone double gasketed for water tight sealing

Knuckle: Adjustable cast brass knuckle with thumb screw and 1/2" NPT threaded male hub on bottom.

Mounting Spike: Standard injection molded spike with 1/2" NPT threaded female hub.

Electrical Notes: A remote 12V transformer required, may be ordered to Corona Lighting seperately. Voltage range for 12V halogen lamps are 11V-12.5V. Voltage range for LED lamps are 9V-17V. Proper grease/lubricant is suggested on threaded parts during installation process.

Warranty: Limited lifetime warranty on fixture housing against manufacturer's defects.



3.5W and 5W

MOST COMMON ACCESSORIES USED WITH THIS FIXTURE



Mounting Stems

- CX-682B-AB 6"
- CX-683B-AB 12"
- CX-684B-AB 18"
- CX-685B-AB 24"
- AB - Antique Bronze



Mounting Canopy

- CX-709B-AB
- AB- Antique Bronze



Mounting Pedestal

- CX-603-BK
- BK - Black

JOB INFORMATION

TYPE: DATE:

JOB NAME & ADDRESS:

PRODUCT #:

TOTAL QUANTITY:

LAMP TYPE & WATTAGE:

TRANSFORMER:

CONTRACTOR:

SPECIFIER:

•Corona Lighting reserves the right to make any change and/or improvement to the design and construction of this fixture without further notification.