

# SPECIFICATION SHEET

## PRODUCT # : CL-370B-AB

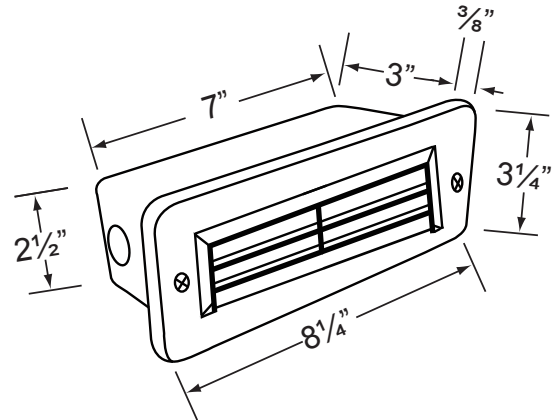
•Brick Lights

•Cast Brass

### Fixture Specifications:

**Housing:** Corrosion Resistant Cast Brass.  
**Face Plate:** Die cast solid brass, fitted to housing with a silicone gasket.  
**Finish:** **AB- Antique Bronze.** Natural toning process. AB finish will vary due to artistic process.  
**Lens:** Frosted and heat resistant glass.  
**Socket:** Two S.C. Bayonet sockets, attached to aluminum reflector. Halogen socket available.  
**Lamp:** 12V, S.C. Bayonet, 2x27w max. L-SCB-1141 (2x18w) standard. LED lamp available in 1W-3000K color temperature (2x1w). Xenon and halogen lamps available.

**Gasket:** Silicone gasket, seals face plate to housing. Providing weather tight protection.  
**Wiring:** Fixture is prewired with a 3-ft 18-2 SPT1-W direct burial cord. Wire connector available separately. Gel filled wire nut CX-854 may be ordered to Corona Lighting.  
**Mounting:** Recessed mount back box. Best used in concrete, brick and other masonry, with 3x 1/2" NPT inlets.  
**Electrical Notes:** A remote 12V transformer required, may be ordered to Corona Lighting separately.  
**Warranty:** Limited lifetime warranty on fixture housing and face plate against manufacturer's defects.



2x1W

### LAMP OPTIONS (fixture needs two lamps.)

LAMP NUMBER	TYPE	WATTS	LUMEN/CP	COLOR & TEMP.	ORDER CODE
L-EDSCB-1W-WW	LED	1	60	WW 3000K	SCB-1W-WW
L-X10-SC	XENON	10	120	WW 2950K	X10SC
L-X20-SC	XENON	20	350	WW 2950K	X10SC
L-10T3/SC	HALOGEN	10	120	WW 2950K	10T3/SC
L-20T3/SC	HALOGEN	20	300	WW 2950K	20T3/SC

### FACE PLATE ONLY

CX-836B-AB Brass 3 Louver Face Plate with Frosted Glass Lens, **Antique Bronze.**

### MOUNT BACK BOX

CX-735B Brass box with two 18w #1141 S.C. bayonet lamps.  
 CX-735B-H Brass box with two 10w/20w S.C. bayonet base T3 halogen lamps.  
 CX-735B-L Brass box with two 1w LED S.C. bayonet base lamps.  
 CX-735B-X Brass box with two 10w/20w S.C. bayonet base Xenon 10,000 HR lamps.

### JOB INFORMATION

TYPE: DATE:

JOB NAME & ADDRESS:

PRODUCT #:

TOTAL QUANTITY:

LAMP TYPE & WATTAGE:

TRANSFORMER:

CONTRACTOR:

SPECIFIER: