

SPECIFICATION SHEET

PRODUCT # : CL-367B

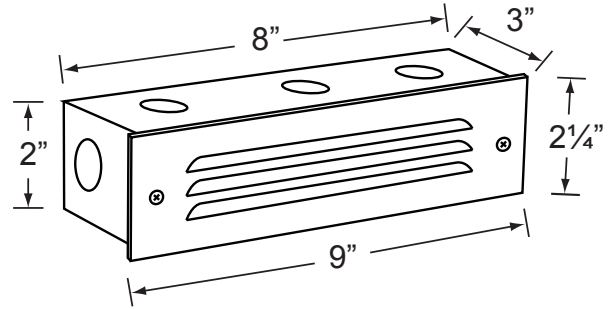
•Brick Lights

•Solid Brass

Fixture Specifications:

Housing: Corrosion Resistant Steel
Face Plate: Solid brass, fitted to housing with a silicone gasket.
Finish: Available in: **AB-** Antique Bronze, **SI-** Silver plated
Lens: High impact white polycarbonate
Socket: Two S.C. Bayonet sockets, attached to aluminum reflector.
Lamp: 12V, S.C. Bayonet, 2x27w max. L-SCB-1141 (2x18w) standard. LED lamp available in 1W-3000K color temperature (2x1w). Xenon and halogen lamps available.

Gasket: Silicone gasket, seals face plate to housing. Providing weather tight protection.
Wiring: Fixture is prewired with a 18-2 cord. Wire connector available separately. Gel filled wire nut CX-854 may be ordered to Corona Lighting.
Mounting: Recessed mount back box. Best used in concrete, brick and other masonry, with 3x 1/2" NPT inlets.
Electrical Notes: A remote 12V transformer required, may be ordered to Corona Lighting separately.
Warranty: Limited lifetime warranty on face plate against manufacturer's defects.



2x1W

LAMP OPTIONS (fixture needs two lamps.)

LAMP NUMBER	TYPE	WATTS	LUMEN/CP	COLOR & TEMP.	ORDER CODE
L-EDSCB-1W-WW	LED	1	60	WW 3000K	SCB-1W-WW
L-X10-SC	XENON	10	120	WW 2950K	X10SC
L-X20-SC	XENON	20	350	WW 2950K	X10SC
L-10T3/SC	HALOGEN	10	120	WW 2950K	10T3/SC
L-20T3/SC	HALOGEN	20	300	WW 2950K	20T3/SC

FACE PLATE ONLY

CX-879B Available in: **AB-** Antique Bronze and **SI-** Silver Plated

MOUNT BACK BOX

CX-733B Steel box with two 18w #1141 S.C. bayonet lamps.
CX-733B-H Steel box with two 10w/20w S.C. bayonet base T3 halogen lamps.
CX-733B-L Steel box with two 1w LED S.C. bayonet base lamps.
CX-733B-X Steel box with two 10w/20w S.C. bayonet base Xenon 10,000 HR lamps.

JOB INFORMATION

TYPE: DATE:

JOB NAME & ADDRESS:

PRODUCT #:

TOTAL QUANTITY:

LAMP TYPE & WATTAGE:

TRANSFORMER:

CONTRACTOR:

SPECIFIER: