

SPECIFICATION SHEET

PRODUCT # : CL-314-NM

•Well Light

•Composite

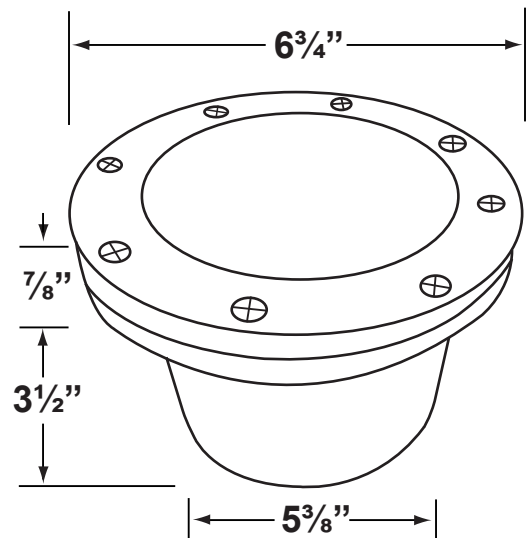
Fixture Specifications:

Housing: Injection molded fiberglass for high UV stability.
Finish: Polyester UV powder coated, in **BK- Black** finish.
Lens: Clear, tempered and heat resistant glass
Socket: Loose, top grade screw-in terminal.
Lamp: 12V, Par 36 50W Max.
Available in LED (6W, 10W or 13W) or without lamp.
See Lamp Guide below for more information.
Gasket: Silicone "O" ring gasket seals faceplate providing weather-tight protection.
Mounting: In-ground direct burial or concrete encasement

Feature: Adjustable Bracket $\pm 10^\circ$
Wiring: Fixture is prewired with a 3ft 18-2 SJT-W direct burial cord. Wire connector sold separately. Silicone filled direct burial wire nut (**CX-854**) and quick-locking connectors (**CX-LOC**) are available from Corona Lighting.
Electrical Notes: A remote 12V transformer is required. Options are available from Corona Lighting. Voltage range for LED lamps are 9V-24V. Proper grease/lubricant is suggested on threaded parts during installation process.
Warranty: Limited one (1) year warranty on fixture against manufacturer's defects.



6W, 10W, & 13W



AVAILABLE LED LAMPS (Corona LED lamps have a five (5) year limited warranty against manufacturer's defects)

LAMP NUMBER	WATTS	BEAM		COLOR & TEMP.	RATED HOURS	HALOGEN EQUIVALENT
		SPREAD	LUMEN			
L-ED36-6W-FL	6	45° Flood	610	2700K	50,000	35 Watt
L-ED36-6W-WF	6	60° Wide Flood	610	2700K	50,000	35 Watt
L-ED36-10W-FL	10	45° Flood	800	2700K	50,000	50 Watt
L-ED36-10W-WF	10	60° Wide Flood	800	2700K	50,000	50 Watt
L-ED36-13W-FL	13	45° Flood	1150	2700K	50,000	75 Watt
L-ED36-13W-WF	13	60° Wide Flood	1150	2700K	50,000	75 Watt

For more additional Lamps, and accessories visit Coronalighting.com

JOB INFORMATION

TYPE: _____ DATE: _____
 JOB NAME & ADDRESS: _____
 PRODUCT #: _____
 TOTAL QUANTITY: _____
 LAMP TYPE & WATTAGE: _____
 TRANSFORMER: _____
 CONTRACTOR: _____
 SPECIFIER: _____

• When ordering a halogen lamp add lamp number to the product number. If you are ordering LED lamps you should follow the format below:

• **CL** - **product #** - **lamp** - **wattage** - **lamp angle** Example: CL-314-NM-L-ED36-9W-FL
CL - **314-NM** - **L-ED36** - **9W** - **FL**

• Corona Lighting reserves the right to make any change and/or improvement to the design and construction of this fixture without further notification.

ACCESSORIES SHEET

PRODUCT # : CL-314-NM

• Well Lights

• Composite

Cable Connectors

CX-854 Direct Burial Silicone Filled Wire Nut, Tan

CX-LOC Quick-locking gel filled wire connector
Two / Pack, Tan

