

SPECIFICATION SHEET

PRODUCT # : CL-308-AB

•Underwater

• Cast Brass

Fixture Specifications:

Housing: Corrosion resistant cast brass.

Face Plate: Cast brass with 316 marine grade stainless steel screws.

Finish : **AB- Antique Bronze.** Natural toning process. AB finish will vary due to artistic process.

Lens: Clear, tempered, and heat resistant glass.

Socket: Top grade loose ceramic bi-pin socket, spring loaded design.

Lamp: 12V, MR-16, 50W max.
Available in LED (3.5W & 5W) or without lamp. See the Lamp Guide below for more information.

Gasket: Silicone "O" ring seals faceplate to housing providing water tight protection.

Applications: To be used in fountains, ponds, and waterfalls. Do not use in swimming pools, lakes or spas.

Wiring: Fixture is prewired with 18-2 SJT-W water resistant cord. The standard cord length is 30ft. This model can optionally be ordered with a 50ft cord (**CL-308-AB-50**) or a 100ft cord (**CL-308-AB-100**). Additional cord lengths can also be supplied upon request.

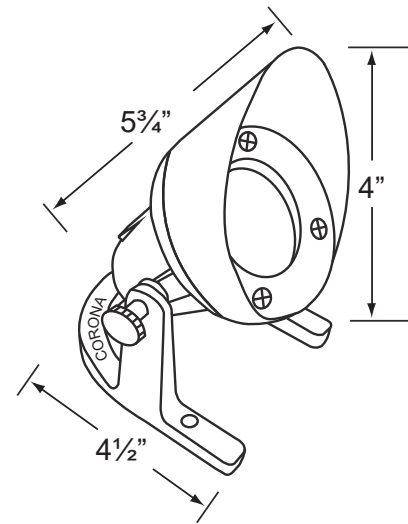
Mounting: Fully adjustable arms with solid brass thumb screws to provide light aiming. Fixture is mounted on a heavy duty brass bracket for a firm and stable underwater placement.

Electrical Notes: A remote 12V transformer is required. Options are available from Corona Lighting. Voltage range for LED lamps are 9V-17V.

Warranty: Limited lifetime warranty on fixture against manufacturer's defects.



3.5W and 5W



AVAILABLE LED LAMPS (Corona LED lamps have a five (5) year limited warranty against manufacturer's defects)

LAMP NUMBER	WATTS	BEAM		COLOR & TEMP.	RATED HOURS	HALOGEN EQUIVALENT
		SPREAD	LUMEN			
L-ED16-3W-SP	3.5	15° Spot	270	2700K	50,000	25 Watt
L-ED16-3W-FL	3.5	45° Flood	270	2700K	50,000	25 Watt
L-ED16-3W-WF	3.5	60° Wide Flood	270	2700K	50,000	25 Watt
L-ED16-5W-SP	5	15° Spot	350	2700K	50,000	40 Watt
L-ED16-5W-FL	5	45° Flood	350	2700K	50,000	40 Watt
L-ED16-5W-WF	5	60° Wide Flood	350	2700K	50,000	40 Watt
L-ED16-COB5W-SP	5	15° Spot	450	2700K	50,000	50 Watt
L-ED16-COB5W-FL	5	38° Flood	450	2700K	50,000	50 Watt
L-ED16-COB5W-WF	5	60° Wide Flood	450	2700K	50,000	50 Watt
L-ED16-COB5W-SP3K	5	15° Spot	470	3000K	50,000	50 Watt
L-ED16-COB5W-FL3K	5	38° Flood	470	3000K	50,000	50 Watt
L-ED16-COB5W-WF3K	5	60° Wide Flood	470	3000K	50,000	50 Watt

■ Single color MR-16 LED available in AMBER, BLUE, GREEN, PURPLE, RED and VIOLET

• When ordering LED lamp with a fixture your part number should follow the format below:

• **CL** - **product #** - **cord** - **lamp** - **wattage** - **lamp angle**
CL - 308-AB - 100 - L-ED16 - 5W - FL

Example: CL-308-AB-100-L-ED16-5W-FL

• Corona Lighting reserves the right to make any change and/or improvement to the design and construction of this fixture without further notification.

JOB INFORMATION

TYPE: DATE:

JOB NAME & ADDRESS:

PRODUCT #:

TOTAL QUANTITY:

LAMP TYPE & WATTAGE:

TRANSFORMER:

CONTRACTOR:

SPECIFIER:

PRODUCT # : CL-308-AB

•Underwater

• Cast Brass

Special Lenses & Honeycomb Louvers

CX-238	MR-16 Snap-on holder, Silver Plated
CX-239	MR-16 honeycomb louver, Black
CX-240-AM	MR-16 color lens, Amber
CX-240-BL	MR-16 color lens, Blue
CX-240-GR	MR-16 color lens, Green
CX-240-RD	MR-16 color lens, Red
CX-240-YL	MR-16 color lens, Yellow
CX-241	MR-16 lens, Linear Spread
CX-242	MR-16 lens, Frosted
CX-243	MR-16 lens, Prismatic



For MR-16 Lenses and Louvers, you will need the CX-238