

BISCAYNE Well Light

DESCRIPTION

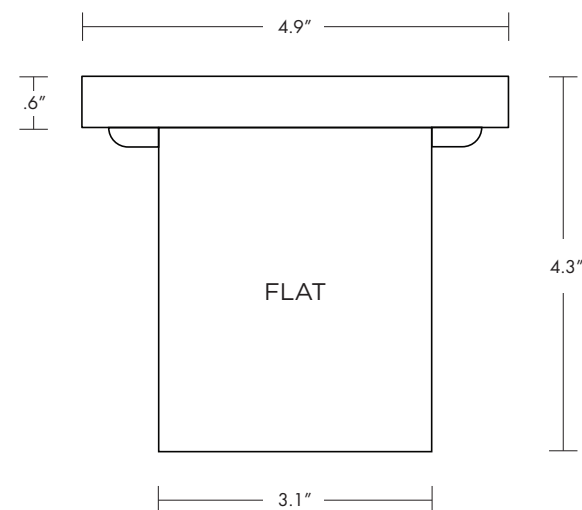
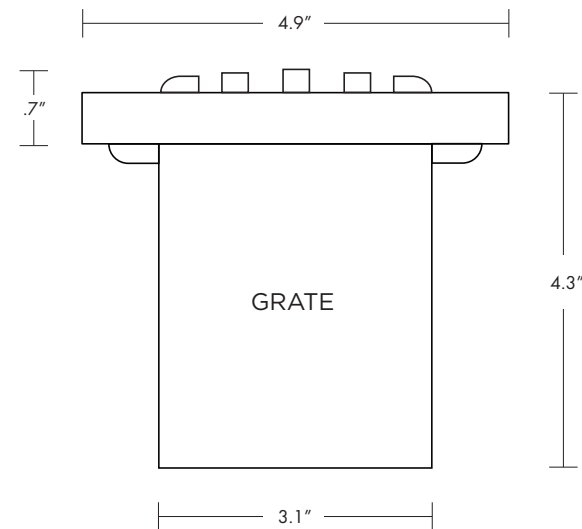
The Biscayne Well Light comes in two variations: a flat top and grate top. The Biscayne is fitted for any of our MR16 lamps and really comes to life with the new Chameleon MR16. The flat brass top comes in a black finish.

OPTIONAL LAMP: MR16 or Chameleon MR16

FINISH: Black

USE: Well Light

PART NUMBER: **BISCAYNE WL-MR16-FLAT-(NL)**
BISCAYNE WL-MR16-GRATE-(NL)



BISCAYNE WL-MR16-GRATE

INSTALLING THE LAMP

1. Loosen the allen screws on the lens cap and remove.
2. Install the lamp into the socket and adjust the gimbal the proper direction.
3. Return the lens cap and tighten the screws to a snug hand tight.

INSTALLING THE FIXTURE

1. Dig a hole in the ground approximately 8" wide by 10" deep.
2. Connect the power cable to the fixture, leaving 2 feet of wire coiled in the bottom of the fixture for future service.
3. Pour 8" of pea gravel in the hole.
4. Place the fixture in the center of the hole.
5. Add more pea gravel to fill the hole 1" before the fixture lip. This will allow for proper drainage around the fixture.
6. Apply glass wax on top of the lens to protect against standing water.