

BEACON PLUS

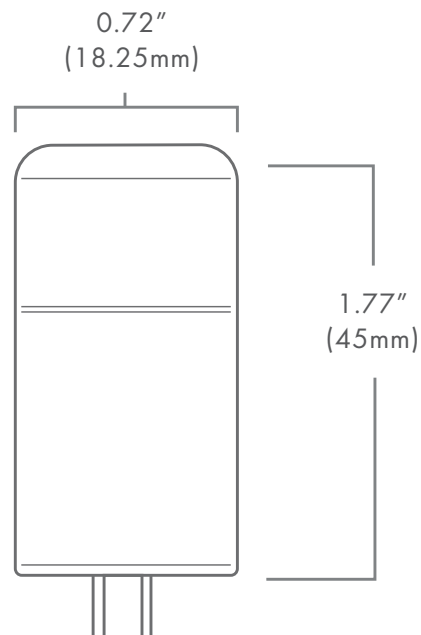
DESCRIPTION

The Brilliance LED Beacon Plus G4 Bipin is a sub-compact LED that utilizes a COB chipset and features Brilliance LED's multi-directional beam pattern through a translucent optic. This G4 Bipin is energy efficient and water resistant, designed specifically for landscape retrofit application, and ideal for pathway lighting fixtures and step lights.

FEATURES

- 300 Lumen output
- Ceramic technology
- Dimmable with Brilliance dimmer and most magnetic transformers

| | |
|--------------------|-------------------------|
| Wattage | 3 |
| Lumens | 300 |
| Beam Spread | Omni-directional |
| Kelvin Temperature | 2700, 3000, 5700 |
| Operating Range | 8-25 VAC |
| Replaces | 20W Halogen |
| CRI | 90+ |
| IP | 65 |
| Chipset | COB |
| Lamp Life (hours) | 35,000 |
| Warranty (years) | 5 |



Part Number: **BRI-BEACON-PLUS-XXXX**

|
Kelvin

