

BEACON G-4

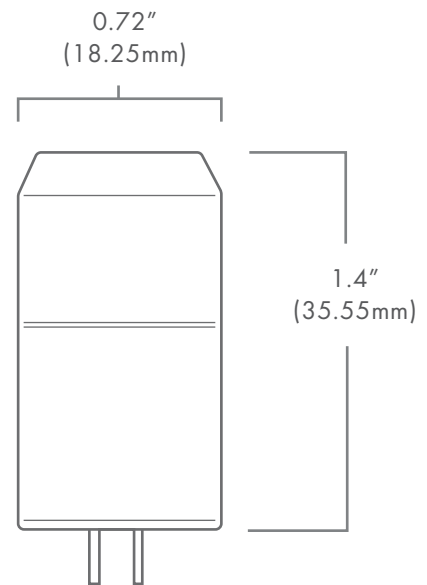
DESCRIPTION

The Brilliance LED Beacon G-4 Bipin is a sub-compact LED that utilizes the Epistar chipset and features Brilliance LED's multi-directional beam pattern. This G4 bipin is energy efficient and water resistant, designed specifically for landscape retrofit application, and ideal for pathway lighting fixtures and step lights.

FEATURES

- Ceramic technology
- Dimmable with most magnetic transformers

Wattage	2
Lumens	200
Beam Spread	Omni-directional
Kelvin Temperature	2700, 3000, 5700
Operating Range	8-25 VAC
Replaces	20W Halogen
CRI	84
IP	65
Chipset	Epistar
Lamp Life (hours)	35,000
Warranty (years)	5



Part Number: **BRI-BEACON-G4-XXXX**

|
Kelvin

