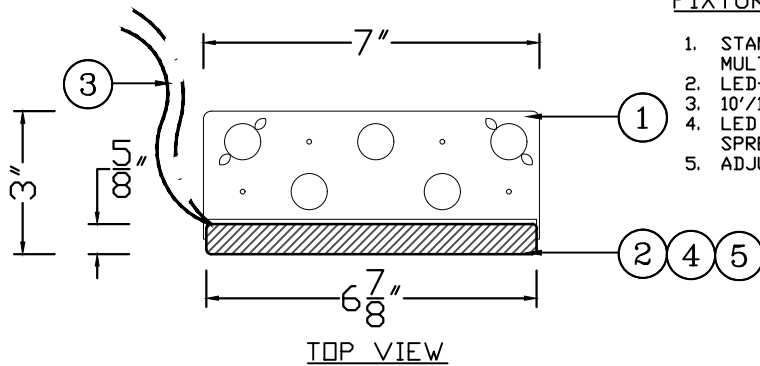
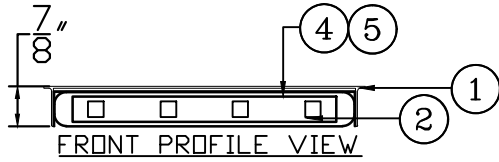


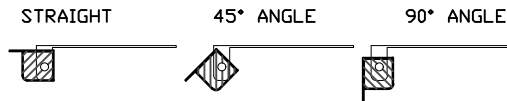
ATLAS 6 LEDGE & CAP
 ROTATING LEDGE & UNDER CAP LIGHT



FIXTURE KEYNOTES

1. STAMPED, STAINLESS STEEL MOUNTING BRACKET. MULTI-POINT MOUNT CONFIGURATION.
2. LED-120, 12V, 40,000 HOUR LAMP LIFE.
3. 10'/15' 18-2 DIRECT BURIAL DUAL WIRE LEADS.
4. LED BAR IS ADJUSTABLE TO FINE TUNE BEAM SPREAD ANGLE.
5. ADJUSTABLE LED BAR IS REPLACEABLE.

ADJUSTABLE LAMP ANGLES



SCALE: 3"=1'-0"

SPECIFICATIONS

CONSTRUCTION:	STAINLESS STEEL BRACKET	VOLTAGE:	12V/24V
FINISH:	BRONZE, BLACK, WHITE	LENS:	FIXED
LAMP:	LED-120	MOUNTING:	MOUNTED BRACKET UNDER FINISH CAP
LUMENS:	~300	EXCLUSIVE WIRE:	PRE-INSTALLED LEAD
BEAM SPREAD:	FLOOD		
LAMP LIFE:	40,000 HRS	APPLICATIONS:	WALLS, COLUMNS, STEPS, LEDGES, CAPS
DESCRIPTION:	ROTATING LEDGE & UNDER CAP LIGHT		

PRODUCT: ATLAS 6

LIFETIME LIGHTING SYSTEMS

280 TRADE STREET-UNIT B
 SAN MARCOS, CA 92078
 P-(760)304-8183

SEE LL0.08 FOR ORDERING

MODEL #

WWW.LIFETIMELIGHTINGSYSTEMS.COM