



PROJECT	DATE
TYPE	CATALOG #

UNIVERSAL JARDIN PATH LIGHT

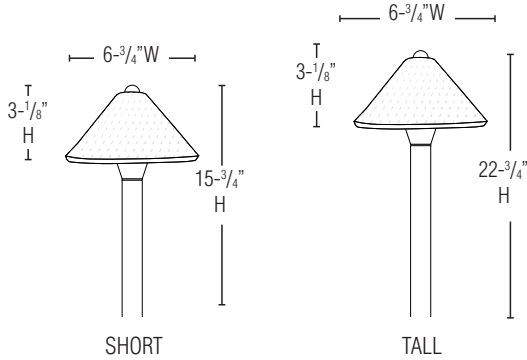
AP-00B-08B / AP-00B-SHORT-08B

KEY FEATURES

- SOLID BRASS
- NATURAL BRONZE FINISH GUARANTEED NOT TO CHIP, FLAKE OR PEEL
- TEMPERED, SHOCK AND HEAT RESISTANT LENS
- HIGH TEMPERATURE CERAMIC SOCKET
- FIELD REPLACEABLE LED LAMP
- LIFETIME WARRANTY ON BRASS MATERIAL

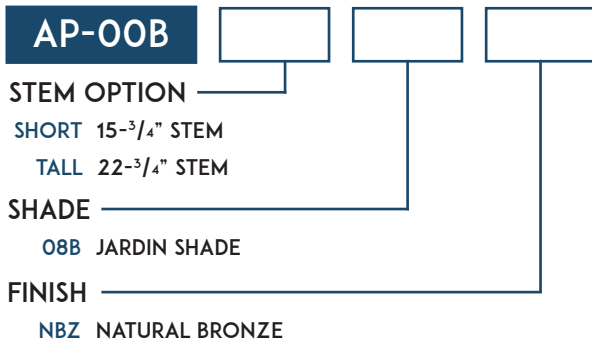
PRODUCT SPECIFICATIONS

MATERIAL	SOLID BRASS
LENS	FROST AND CLEAR INCLUDED
SOCKET	BI-PIN
LAMP	T3/G4 (LED OR HALOGEN)
MAX LAMP	35W
VOLTAGE	9-18V AC/DC
LIGHT SPREAD	8-10 FT AVG



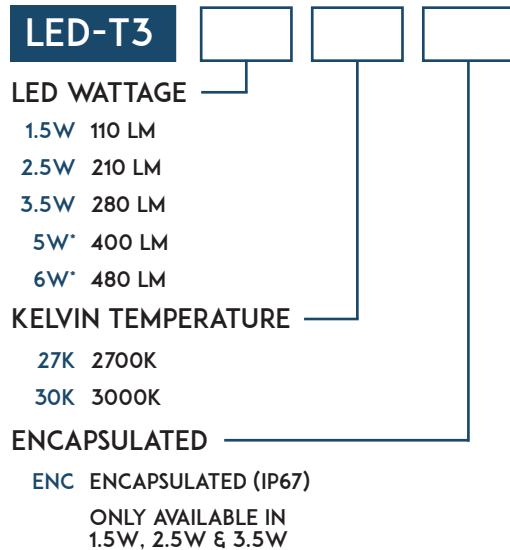
STEP 1

FIXTURE CONFIGURATION



STEP 2

LED LAMP CONFIGURATION



STEP 3

ACCESSORY OPTIONS



+ SEE ACCESSORY SPEC SHEET FOR ADDITIONAL MOUNTING OPTIONS

*5W & 6W: AVAILABLE IN NON-ENCAPSULATED & 3000K ONLY