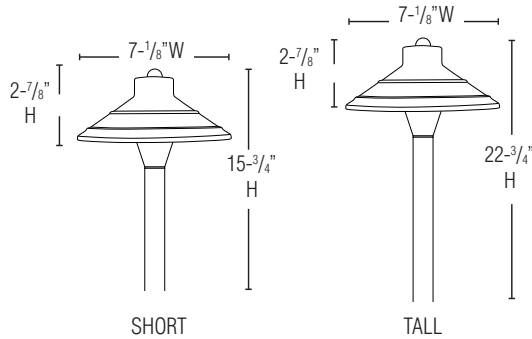
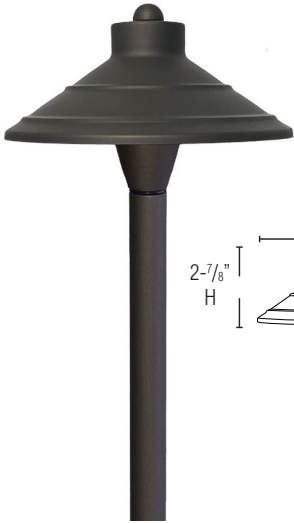




PROJECT	DATE
TYPE	CATALOG #

# UNIVERSAL CLASSICO PATH LIGHT

AP-00B-01B / AP-00B-SHORT-01B



## KEY FEATURES

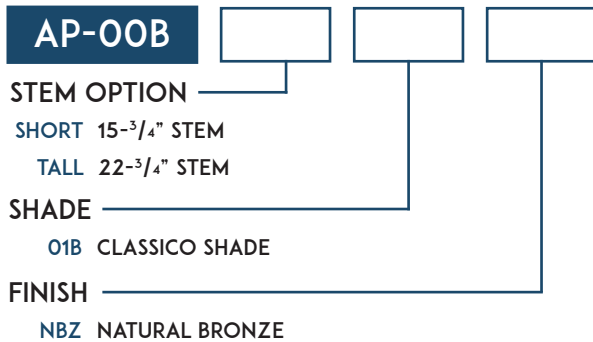
- SOLID BRASS
- NATURAL BRONZE FINISH GUARANTEED NOT TO CHIP, FLAKE OR PEEL
- TEMPERED, SHOCK AND HEAT RESISTENT LENS
- HIGH TEMPERATURE CERAMIC SOCKET
- FIELD REPLACEABLE LED LAMP
- LIFETIME WARRANTY ON BRASS MATERIAL

## PRODUCT SPECIFICATIONS

<b>MATERIAL</b>	SOLID BRASS
<b>LENS</b>	FROST AND CLEAR INCLUDED
<b>SOCKET</b>	BI-PIN
<b>LAMP</b>	T3/G4 (LED OR HALOGEN)
<b>MAX LAMP</b>	35W
<b>VOLTAGE</b>	9-18V AC/DC
<b>LIGHT SPREAD</b>	8-10 FT AVG

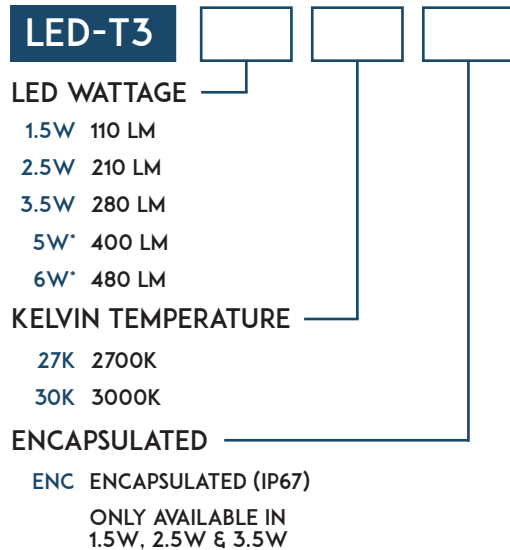
### STEP 1

#### FIXTURE CONFIGURATION



### STEP 2

#### LED LAMP CONFIGURATION



### STEP 3

#### ACCESSORY OPTIONS



+ SEE ACCESSORY SPEC SHEET FOR ADDITIONAL MOUNTING OPTIONS

\*5W & 6W: AVAILABLE IN NON-ENCAPSULATED & 3000K ONLY