



landscape • entertainment • architectural • hospitality • illumination

AL-18-LG-GAS AREA LIGHTS/TORCHES



25301 COMMERCENTRE DRIVE • LAKE FOREST, CA 92630 • 949.830.1350 • 888.882.1350 • FAX 949.830.3390



FOCUS TORCH AL-18-LG GAS SERIES

TYPE

SPECIFICATIONS

CONSTRUCTION: Spun copper, 18 ga. (.043 thickness), Cast brass pipe adapter & internal parts. Stainless Steel perforated flame screen. Hammered surface available on -HH models
NATURAL GAS USAGE (AL-18-CYNG): 22,500 BTU/Hour normal inlet pressure 7" water column
PROPANE GAS USAGE (AL-18-CYP): 17,000 BTU/Hour normal inlet pressure 11" water column
INSTALLATION: 1" cast brass adapter has standard female NPT pipe threads for connection to 1" steel pipe (supplied by others)
3/4" PIPE OPTION: Cast brass adapter for connection to 3/4" steel pipe which must be used if installing FA-SB-PVC6 simulated bamboo sleeve accessory. (Add "34" to part number. Example: AL-18-LGNG34COP)
VALVE: 1" or 3/4" brass shut-off valve required (supplied by others)
IGNITION: Manual ignition with extended lighter
FINISH: Unfinished copper
 Optional finishes available in Acid Rust (-CAR), Acid Verde (-CAV), Black Acid Treatment (-BAT)

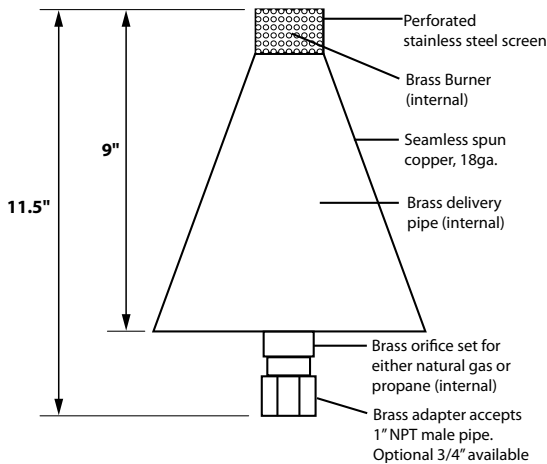
TWO HAT STYLES



Smooth Hat (Standard)



Hammered Hat (-HH)



FA-AL-18LG-GASBPC-COP

ORDERING INFORMATION

CATALOG NO.	DESCRIPTION	SHIP WEIGHT
AL-18-LGNG-COP	Large Copper Natural Gas Fed Torch	5.0 lbs.
AL-18-LGP-COP	Large Copper Propane Fed Torch	5.0 lbs.
AL-18-LGHHNG-COP	Large Hammered Copper Natural Gas Fed Torch	5.0 lbs.
AL-18-LGHHHP-COP	Large Hammered Copper Propane Fed Torch	5.0 lbs.

ACCESSORIES

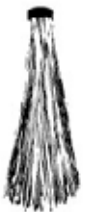
FA-SB-PVC6U	PVC Bamboo Sleeve, Unfinished (3/4" pipe only - see 3/4 pipe option above)
FA-SB-PVC6P	PVC Bamboo Sleeve, Brown (3/4" pipe only - see 3/4 pipe option above)
FA-SB-PVC6B	PVC Bamboo Sleeve, Black (3/4" pipe only - see 3/4 pipe option above)
FA-SB-PVC6G	PVC Bamboo Sleeve, Green (3/4" pipe only - see 3/4 pipe option above)

FA-AL-18LG-GASBPC-COP Copper protective cover, aids in reducing bird droppings

FA-AL-18LGNGPSKIRTBRS SKIRT, BRASS HOLDER, FOR AL-18 GAS
Optional Finishes Available



FA-AL-18LGNGPSKIRT: GRASS SKIRT, 1.7" ID FOR AL-18-LG NG/P GAS SERIES



FOUR FINISHES AVAILABLE



Unfinished Acid Rust (-CAR) Acid Verde (-CAV) Black Acid (-BAT)

JOB INFORMATION

Type: _____ Date: _____
 Job Name: _____
 Cat.No.: _____
 Lamp(s): _____
 Specifier: _____
 Contractor: _____
 Notes: _____

FOCUS INDUSTRIES INC.
 25301 COMMERCENTRE DRIVE
 LAKE FOREST, CA 92630
 www.focusindustries.com
 sales@focusindustries.com
 (949) 830-1350 • FAX (949) 830-3390

Black Texture (Standard)	Antique Verde	Bronze Texture	Camel	White Texture	Hunter Texture	Rust	Weathered Iron	Weathered Brown	Stucco	Rubbed Verde	Chrome Powder	Acid Rust	Acid Verde	Black Acid Treatment
-BLT	-ATV	-BRT	-CAM	-WTX	-HTX	-RST	-WIR	-WBR	-STU	-RBV	-CPR	-BAR/CAR	-BAV/CAV	-BAT

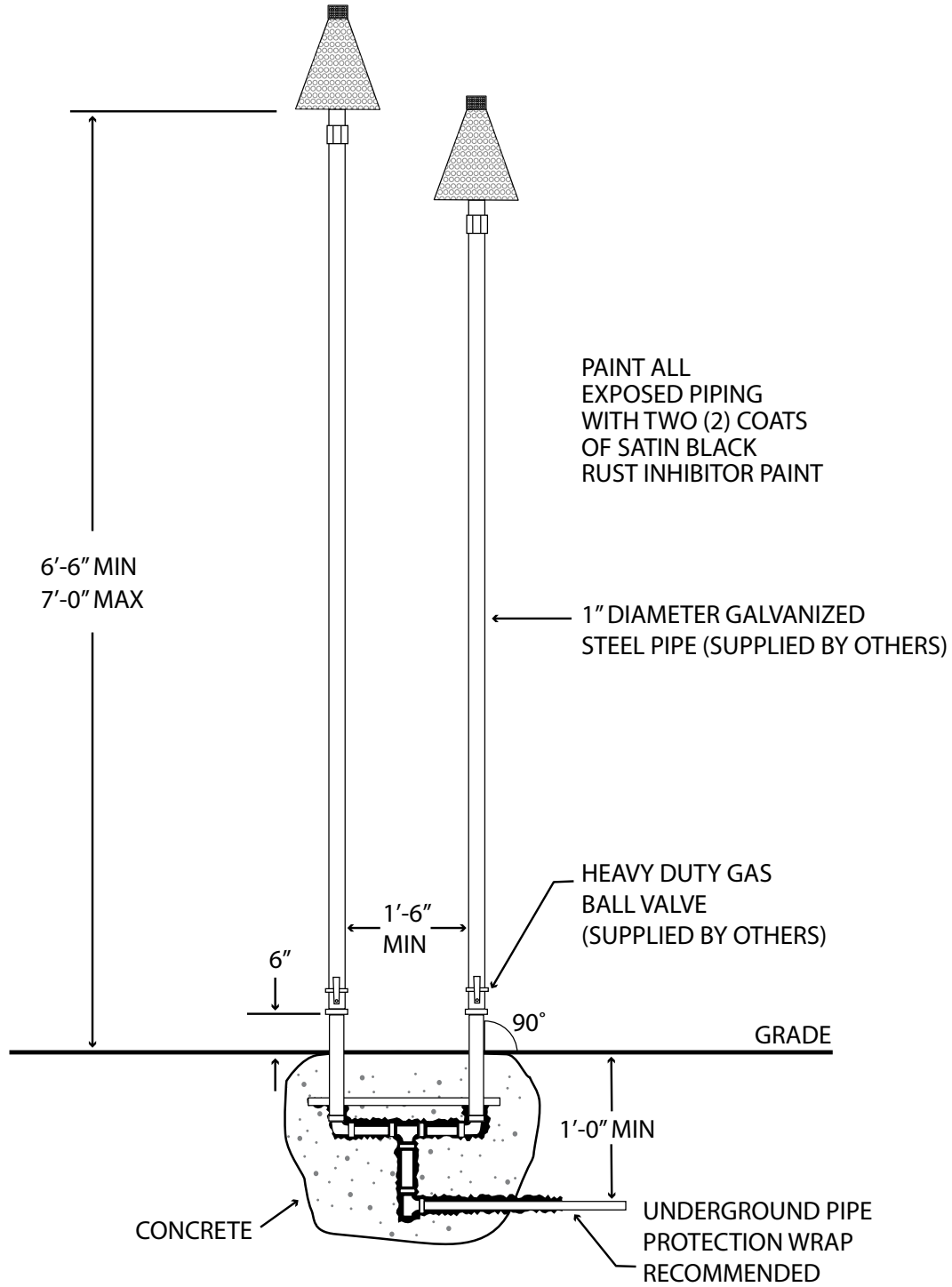


FOCUS TORCH AL-18-LG GAS SERIES

TYPE



Installation Diagram #1



PLEASE CONSULT A LICENSED PLUMBER FOR GAS PIPE LAYOUT AND INSTALLATION

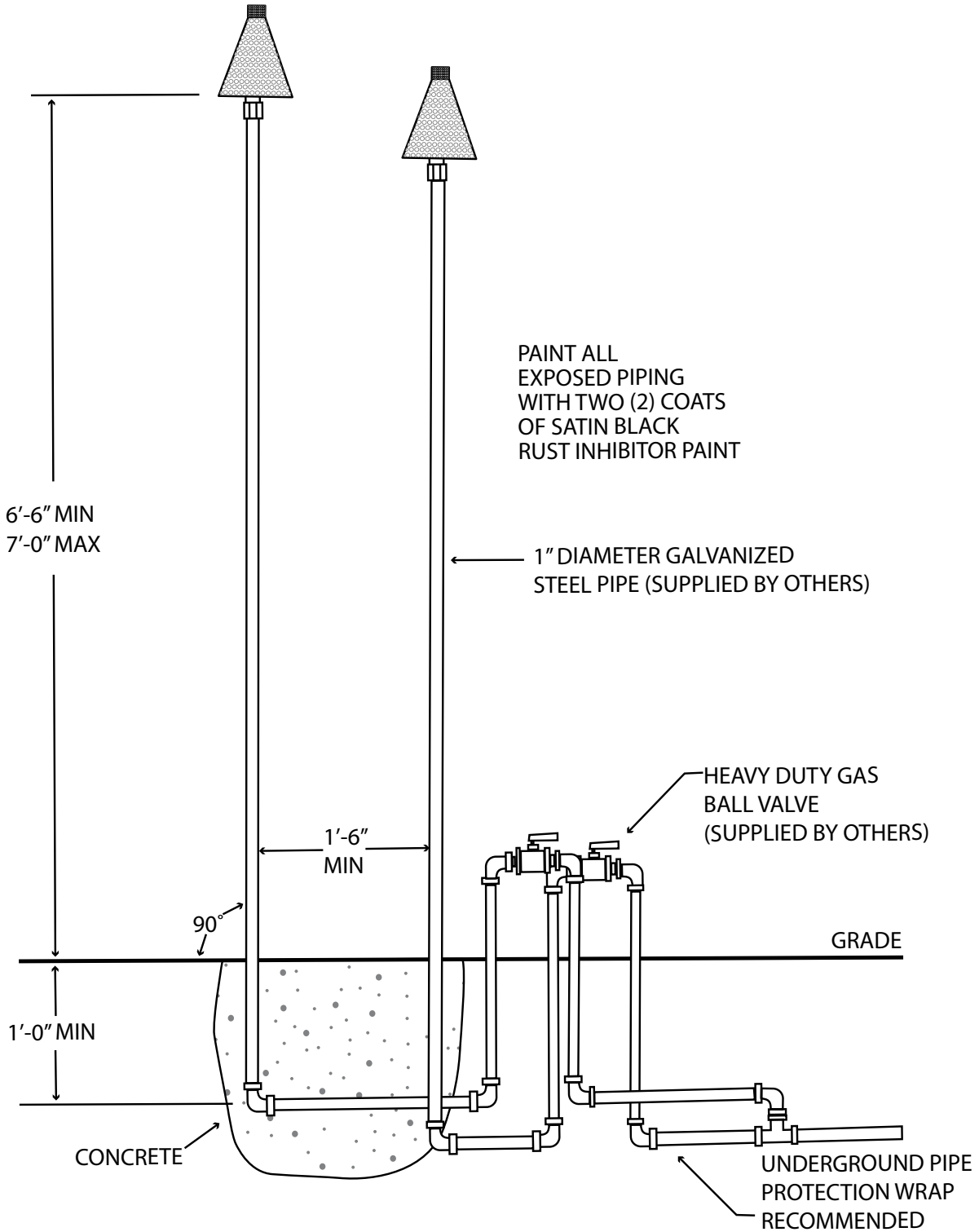


FOCUS TORCH AL-18-LG GAS SERIES

TYPE



Installation Diagram #2



PLEASE CONSULT A LICENSED PLUMBER FOR GAS PIPE LAYOUT AND INSTALLATION