



# COMMERCIAL POST AREA LIGHTS

## AL-05-CP SERIES

TYPE

### SPECIFICATIONS

**CONSTRUCTION:** Cast aluminum or cast brass China Hat; matching 3" OD extruded aluminum or brass post

**LENS:** Tempered flat glass

**LIGHT SOURCE:** 7w ARROW Super Saver MR16 LED or 15w LED module

**LIFETIME RATING:** 40,000/ 50,000 hours

**12v INTERNAL DRIVER:** On board. Voltage range of 9 to 18 volts with optimum operating range of 10 to 15 volts for consistent performance and brightness.

For use with magnetic transformers only.

**120v INTERNAL DRIVER:** HW-12-60LED transformer

**SOCKET MR16:** High temperature ceramic GU5.3 bi-pin with 250°C silicone lead wires

**SOCKET LED MODULE:** None - LED is hard wired inside fixture

**WIRING:** Black 3 foot 18/2 zip cord from base of fixture (12v only)

For 25 foot 16/2 fixture lead wire add -25F to catalog number.

120v standard black/white/green wiring

**STANDARD MOUNTING:** Deck mount U-bracket with 4 mounting screws

**STAKE MOUNTING (-S):** 24" x 3"OD ABS stake with 4 mounting screws

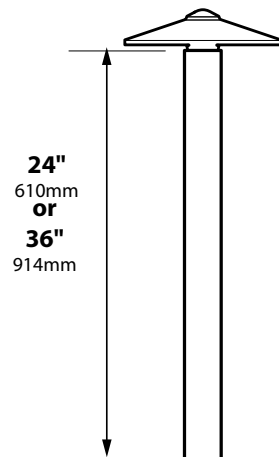
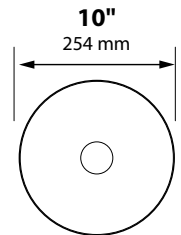
**FINISH:** Aluminum - Black texture polyester powder coat. Optional finishes available

Brass - Unfinished brass. Optional finishes available.



### ORDERING INFORMATION

CATALOG NO.	DESCRIPTION	LAMP	SHIP WEIGHT
<b>STANDARD DECK MOUNT:</b>			
<b>12v</b>			
AL-05-CP24MR-BLT	Aluminum China Hat & 24" Post, Deck Mount, Black Texture	7W MR16 LED	10 lbs.
AL-05-CP36MR-BLT	Aluminum China Hat & 36" Post, Deck Mount, Black Texture	7W MR16 LED	10 lbs.
AL-05-CP24LM-BLT	Aluminum China Hat & 24" Post, Deck Mount, Black Texture	15W LED MODULE	10 lbs.
AL-05-CP36LM-BLT	Aluminum China Hat & 36" Post, Deck Mount, Black Texture	15W LED MODULE	10 lbs.
<b>AL-05-CP24MR-BRS</b>			
AL-05-CP24MR-BRS	Brass China Hat & 24" Post, Deck Mount	7W MR16 LED	10 lbs.
AL-05-CP36MR-BRS	Brass China Hat & 36" Post, Deck Mount	7W MR16 LED	10 lbs.
AL-05-CP24LM-BRS	Brass China Hat & 24" Post, Deck Mount	15W LED MODULE	10 lbs.
AL-05-CP36LM-BRS	Brass China Hat & 36" Post, Deck Mount	15W LED MODULE	10 lbs.
<b>120v</b>			
AL-05-CP24MR120-BLT	Aluminum China Hat & 24" Post, Deck Mount, Black Texture	7W MR16 LED	10 lbs.
AL-05-CP36MR120-BLT	Aluminum China Hat & 36" Post, Deck Mount, Black Texture	7W MR16 LED	10 lbs.
AL-05-CP24LM120-BLT	Aluminum China Hat & 24" Post, Deck Mount, Black Texture	15W LED MODULE	10 lbs.
AL-05-CP36LM120-BLT	Aluminum China Hat & 36" Post, Deck Mount, Black Texture	15W LED MODULE	10 lbs.
<b>AL-05-CP24MR120-BRS</b>			
AL-05-CP24MR120-BRS	Brass China Hat & 24" Post, Deck Mount	7W MR16 LED	10 lbs.
AL-05-CP36MR120-BRS	Brass China Hat & 36" Post, Deck Mount	7W MR16 LED	10 lbs.
AL-05-CP24LM120-BRS	Brass China Hat & 24" Post, Deck Mount	15W LED MODULE	10 lbs.
AL-05-CP36LM120-BRS	Brass China Hat & 36" Post, Deck Mount	15W LED MODULE	10 lbs.
<b>STAKE MOUNT SERIES:</b>			
<b>12v</b>			
AL-05-CP24S-MR-BLT	Aluminum China Hat & 24" Post, Stake Mount, Black Texture	7W MR16 LED	10 lbs.
AL-05-CP36S-MR-BLT	Aluminum China Hat & 36" Post, Stake Mount, Black Texture	7W MR16 LED	10 lbs.
AL-05-CP24S-LM-BLT	Aluminum China Hat & 24" Post, Stake Mount, Black Texture	15W LED MODULE	10 lbs.
AL-05-CP36S-LM-BLT	Aluminum China Hat & 36" Post, Stake Mount, Black Texture	15W LED MODULE	10 lbs.
<b>AL-05-CP24S-MR-BRS</b>			
AL-05-CP24S-MR-BRS	Brass China Hat & 24" Post, Stake Mount	7W MR16 LED	10 lbs.
AL-05-CP36S-MR-BRS	Brass China Hat & 36" Post, Stake Mount	7W MR16 LED	10 lbs.
AL-05-CP24S-LM-BRS	Brass China Hat & 24" Post, Stake Mount	15W LED MODULE	10 lbs.
AL-05-CP36S-LM-BRS	Brass China Hat & 36" Post, Stake Mount	15W LED MODULE	10 lbs.
<b>120v</b>			
AL-05-CP24S-MR120-BLT	Aluminum China Hat & 24" Post, Stake Mount, Black Texture	7W MR16 LED	10 lbs.
AL-05-CP36S-MR120-BLT	Aluminum China Hat & 36" Post, Stake Mount, Black Texture	7W MR16 LED	10 lbs.
AL-05-CP24S-LM120-BLT	Aluminum China Hat & 24" Post, Stake Mount, Black Texture	15W LED MODULE	10 lbs.
AL-05-CP36S-LM120-BLT	Aluminum China Hat & 36" Post, Stake Mount, Black Texture	15W LED MODULE	10 lbs.
<b>AL-05-CP24S-MR120-BRS</b>			
AL-05-CP24S-MR120-BRS	Brass China Hat & 24" Post, Stake Mount	7W MR16 LED	10 lbs.
AL-05-CP36S-MR120-BRS	Brass China Hat & 36" Post, Stake Mount	7W MR16 LED	10 lbs.
AL-05-CP24S-LM120-BRS	Brass China Hat & 24" Post, Stake Mount	15W LED MODULE	10 lbs.
AL-05-CP36S-LM120-BRS	Brass China Hat & 36" Post, Stake Mount	15W LED MODULE	10 lbs.



Black Texture (Standard)	Antique Verde	Bronze Texture	Camel	White Texture	Hunter Texture	Rust	Weathered Iron	Weathered Brown	Stucco	Rubbed Verde	Chrome Powder	Acid Rust	Acid Verde	Black Acid Treatment
-BLT	-ATV	-BRT	-CAM	-WTX	-HTX	-RST	-WIR	-WBR	-STU	-RBV	-CPR	-BAR/CAR	-BAV/CAV	-BAT



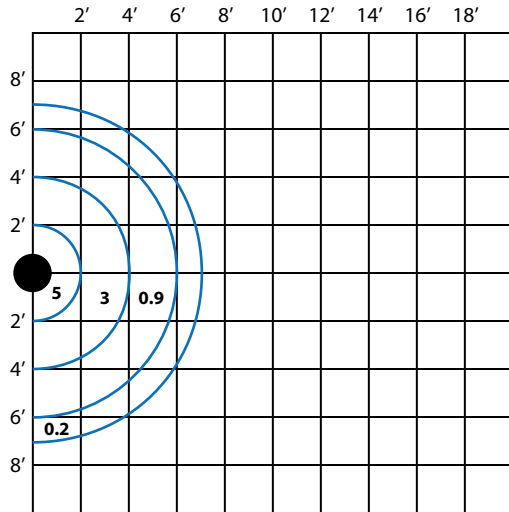
# COMMERCIAL POST AREA LIGHTS AL-05-CP SERIES

TYPE

## LIGHT DISTRIBUTIONS AND PHOTOMETRICS

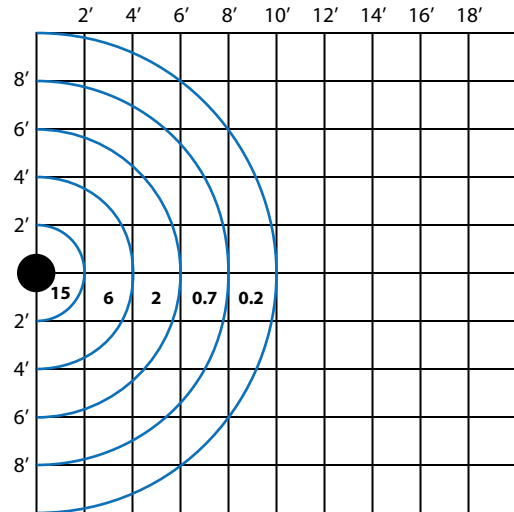
### AL-05-CP24MR

HORIZONTAL FOOTCANDLES • FIXTURE HEIGHT 24"



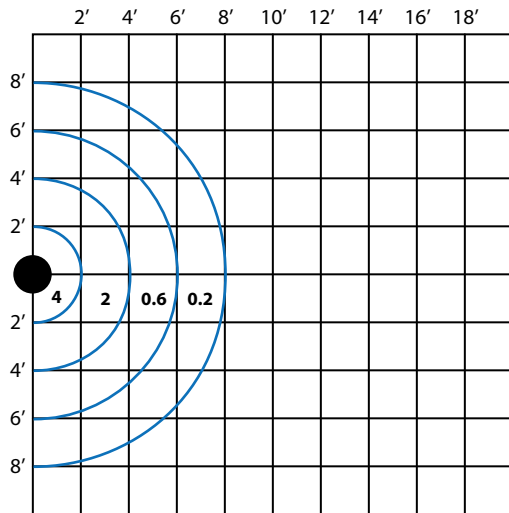
### AL-05-CP24LM

HORIZONTAL FOOTCANDLES • FIXTURE HEIGHT 24"



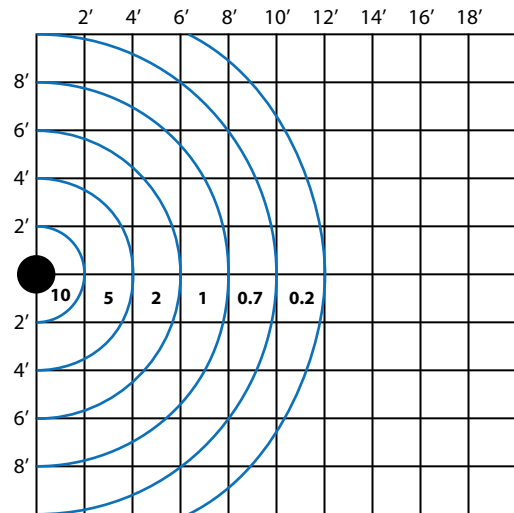
### AL-05-CP36MR

HORIZONTAL FOOTCANDLES • FIXTURE HEIGHT 36"



### AL-05-CP36LM

HORIZONTAL FOOTCANDLES • FIXTURE HEIGHT 36"



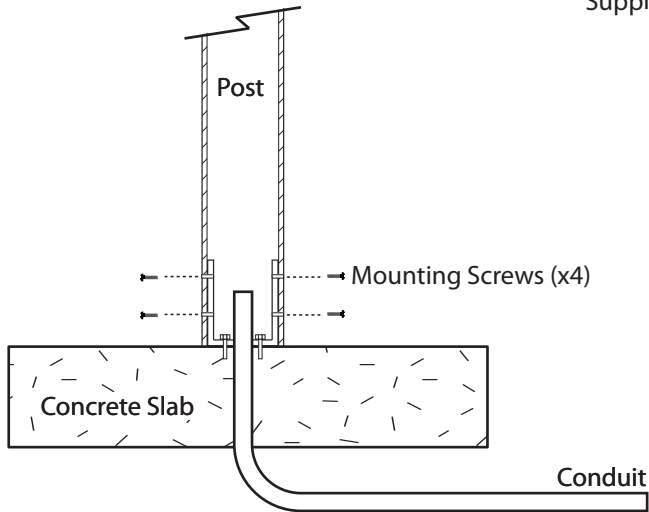


# COMMERCIAL POST AREA LIGHTS AL-05-CP SERIES

TYPE

## U-BRACKET DECK MOUNT MODELS

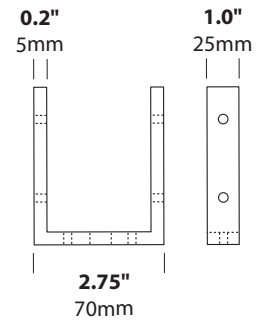
Concrete Mounting Bolts/Anchors  
Supplied by Others



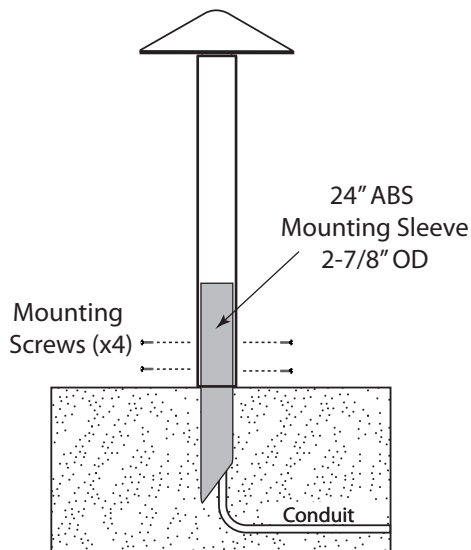
Post Dimensions



Steel U-Bracket Detail

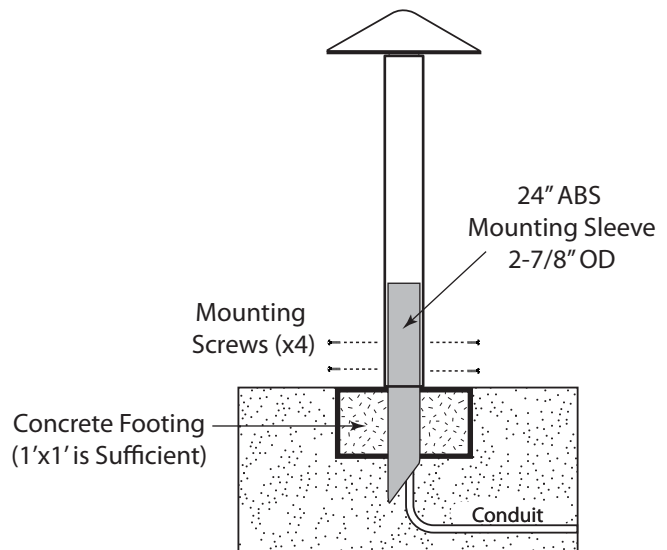


## STAKE MOUNT MODELS (-S)



### EARTH MOUNT

Attach ABS Mounting Sleeve to post with four supplied screws.  
Stake fixture into ground and pack down ground around post.



### CONCRETE FOOTING MOUNT

Set ABS Mounting Sleeve into ground.  
Pour concrete footing around Mounting Sleeve 1 foot by 1 foot is sufficient.  
After concrete dries, slide fixture post over Mounting Sleeve and attach with four supplied screws