

A-19 EDGE FILAMENT

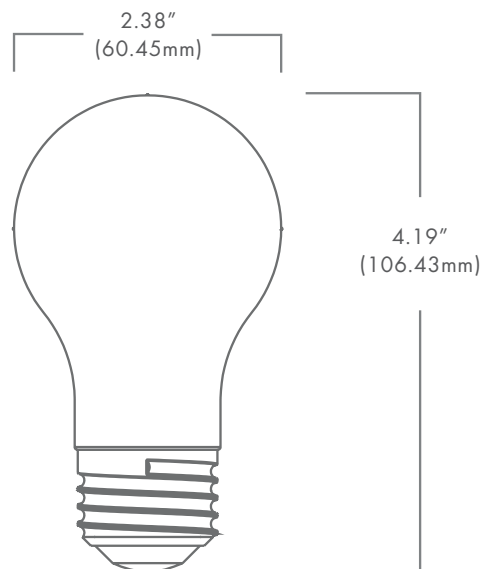
DESCRIPTION

The Brilliance LED A-19 Edge Filament lamps are a decorative light source and give the effect of an original Edison lamp. This lamp is great for any place a warm light source is desired.

FEATURES

- Replaces 60W incandescent
- UL Listed in USA and Canada
- Clear, omni-directional light source
- Elegant, exposed filament design
- Dimmable
- UL & FCC compliant

Wattage	6.5
Lumens	500
Kelvin Temperature	2200, 2700
Operating Range	110-130 VAC
Replacing	60W Incandescent
CRI	95
IP	64
Lamp Life (hours)	30,000
Warranty (years)	3



Part Number: **A19-FIL-EDGE-XXXX**

|
Kelvin

