



**PROFESSIONAL
OUTDOOR LIGHTING**

Type:

Model:

Project:

SPECIFICATION SHEET

MODEL 9226 Landscape Series • Bollards & Beacons

FIXTURE SPECIFICATIONS:

HOUSING:

Die-cast, copper-free aluminum with a silicone gasket to provide a superior weather-tight seal.

POST:

Heavy-gauge extruded aluminum (1/8" wall thickness).

FINISH:

Polyester powder-coat finish available in Black, Verde, Architectural Brick, Architectural Bronze, Light Bronze, Dark Bronze, Granite, Pewter, Terracotta, Rust, Hunter Green, Mocha, Weathered Bronze, Weathered Iron, and White.

SOCKET/LAMP HOLDER:

Top grade ceramic socket with nickel contacts, stainless steel springs, & Teflon-jacketed wire leads.

LENS:

Clear, prismatic, high-impact, polycarbonate lens fitted to the housing with a flat neoprene gasket to provide a superior weather-tight seal.

LAMP TYPE:

- T3 – 20W maximum. LN-10 T3 Halogen (10W) Standard.
- LED T3 - 2.5W. LNT3-2.5-W-D-LED

MOUNTING:

Direct-burial post. (Post extended 12" for in-ground or concrete mounting.)

FASTENERS:

All fasteners are stainless steel.

WIRING:

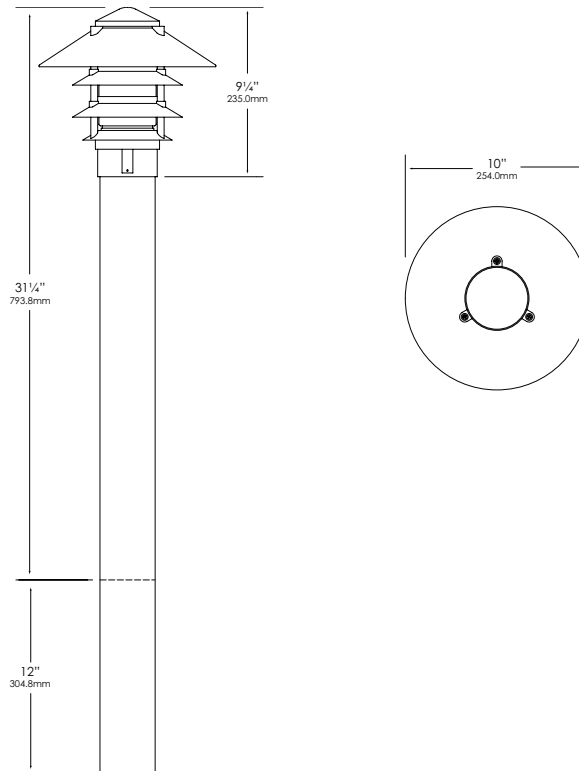
Provided with a three-foot pigtail of 18-2 direct-burial cable & underground connectors for a secure connection to the supply cable.

CERTIFICATION:

UL Listed to U.S. & Canadian safety standards for low voltage landscape luminaires (UL 1838). The maximum wattages allowed by Underwriters Laboratories (UL) for the U.S. & Canadian markets may vary. Maximum wattages specified are Underwriters Laboratories U.S. standard. Please contact Vista for any questions about the maximum wattages allowed by UL Canadian standards.

All Vista luminaires are **MADE IN THE U.S.A.**

DIMENSIONS:



Vista Professional Outdoor Lighting reserves the right to modify the design and/or construction of the fixture shown without further notification.



SPECIFICATION SHEET

MODEL 9226 Landscape Series • Bollards & Beacons

FIXTURE ORDERING INFORMATION

TO ORDER FIXTURE: Select appropriate choice from each column as in the following example.

EXAMPLE: BR-9226-B-10T3

| MOUNTING | MODEL | FINISH | LAMP | ACCESSORIES |
|------------------------|-------|---|---|----------------------------|
| BR- Direct-burial post | 9226 | B - Black G - Verde BR - Architectural Brick Z - Architectural Bronze LZ - Light Bronze DZ - Dark Bronze GT - Granite P - Pewter TC - Terracotta R - Rust HG - Hunter Green M - Mocha WB - Weathered Bronze WI - Weathered Iron W - White | T3 Halogen 20W maximum LN-10 T3 Halogen (10W) Standard LED T3 2.5 W LNT3-2.5-W-D-LED <i>(Please see lamp order code column on lamp guide, Vista product catalog.)</i> | RS - 180° reflector shield |

Fixtures shipped with standard lamp, unless otherwise specified.
Fixtures shipped with specified mounting hardware.