



**PROFESSIONAL
OUTDOOR LIGHTING**

Type:

Model:

Project:

SPECIFICATION SHEET

MODEL 8227 Landscape Series • Bollards & Beacons

FIXTURE SPECIFICATIONS:

HOUSING:

Die-cast, copper-free aluminum with a silicone gasket to provide a superior weather-tight seal.

POST:

Heavy-gauge extruded aluminum (1/8" wall thickness).

FINISH:

Durable powder coat finish available in Black, Architectural Bronze, Dark Bronze, Granite, White, Architectural Brick, Light Bronze, Special Bronze, Glossy Gray, Rust, Hunter Green, Weathered Bronze, Weathered Iron, Graphite Metallic, Verde, Pewter, Mocha and Olde Finish. Custom Powder coat finishes available on request.

SOCKET/LAMP HOLDER:

Top grade ceramic socket with nickel contacts, stainless steel springs, & Teflon-jacketed wire leads.

LENS:

Frosted, high-impact, polycarbonate lens, silicone sealed to the housing.

LAMP TYPE:

- T3 – 20W maximum. LN-10 T3 Halogen (10W) Standard.
- LED T3 - 2.5W. LNT3-2.5-W-D-LED

MOUNTING:

Aluminum mounting base with non-corroding ABS ground stake included for ground mounting.

FASTENERS:

All fasteners are stainless steel.

WIRING:

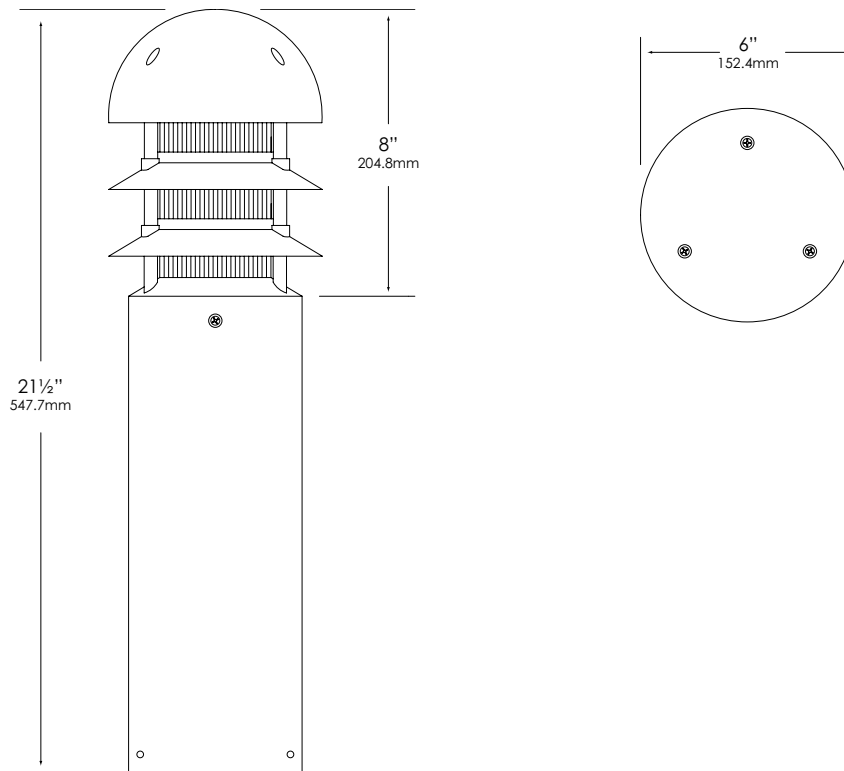
Provided with a three-foot pigtail of 18-2 direct-burial cable & underground connectors for a secure connection to the supply cable.

CERTIFICATION:

UL Listed to U.S. & Canadian safety standards for low voltage landscape luminaires (UL 1838). The maximum wattages allowed by Underwriters Laboratories (UL) for the U.S. & Canadian markets may vary. Maximum wattages specified are Underwriters Laboratories U.S. standard. Please contact Vista for any questions about the maximum wattages allowed by UL Canadian standards.

All Vista luminaires are **MADE IN THE U.S.A.**

DIMENSIONS:



Vista Professional Outdoor Lighting reserves the right to modify the design and/or construction of the fixture shown without further notification.



SPECIFICATION SHEET

MODEL 8227 Landscape Series • Bollards & Beacons

FIXTURE ORDERING INFORMATION

TO ORDER FIXTURE: Select appropriate choice from each column as in the following example.

EXAMPLE: ABS-8227-B-10T3

MOUNTING	MODEL	FINISH	LAMP	ACCESSORIES
ABS- Ground Stake	8227	Standard	T3 Halogen 20W maximum LN-10-T3 (10W) Standard	RS - 180° Reflector Shield
		B - Black Z - Architectural Bronze DZ - Dark Bronze GT - Granite W - White	LED T3 2.5 W LNT3-2.5-W-D-LED	
		Premium	(Please see lamp order code column on lamp guide, Vista product catalog.)	
		BR - Architectural Brick LZ - Light Bronze SB - Special Bronze GG - Glossy Gray R - Rust HG - Hunter Green WB - Weathered Bronze WI - Weathered Iron GM - Graphite Metallic		
		Hand Finished		
		G - Verde P - Pewter M - Mocha OF - Olde Finish		

Fixtures shipped with standard lamp, unless otherwise specified.

Fixtures shipped with specified mounting hardware.