

WAC LIGHTING

Hardscape

Quick Connect Luminaire With Dual CCT

Model & Size	Color Temp & CRI	Watt	Lumens	Finish
7062 6"	27/30 2700K/3000K - 85	4.5W	110	BBR Bronze on Brass BK Black on Aluminum BZ Bronze on Aluminum GH Graphite on Aluminum SD Sand on Aluminum
7122 12"	27/30 2700K/3000K - 85	7.0W	230	
7182 18"	27/30 2700K/3000K - 85	8.5W	350	

Example: **7062-27/30BBR**

DESCRIPTION

Integral brightness control, select color temperature option. Hardscape easily detaches from capstone bracket after installation. Factory sealed water-tight fixture. Tightly spaced and diffused LEDs for even illumination. Mounting options included: stainless steel under capstone brackets, clips and hardware. Can be mounted on wall in all orientations

FEATURES

- Quick release connection at fixture to easily detach after installation
- Integral brightness control, select color temperature option
- Hardscape easily detaches from capstone bracket after installation
- Transformer required
- 10 yrs warranty

SPECIFICATIONS

Construction:	Solid die-cast brass, Corrosion resistant aluminum alloy
Power:	4.5W, 7.0W, 8.5W
Input:	50/60Hz, 9-15 VAC
Dimming:	Integral Brightness Control
Light Source:	Integrated LED 3 Step Mac Adam Ellipse
Lens:	PC Diffuser
Rated Life:	50000 Hours
Mounting:	Can be mounted on wall in all orientations
Finish:	Enamel Coated: Bronze on Brass, Black on Aluminum, Bronze on Aluminum, Graphite on Aluminum, Sand on Aluminum, Enamel Coated: Black on Aluminum
Operating Temp:	-40°F to 122°F (-40°C to 50°C)
Standards:	ETL, cETL, Wet Location Listed, IP66

Fixture Type: _____

Catalog Number: _____

Project: _____

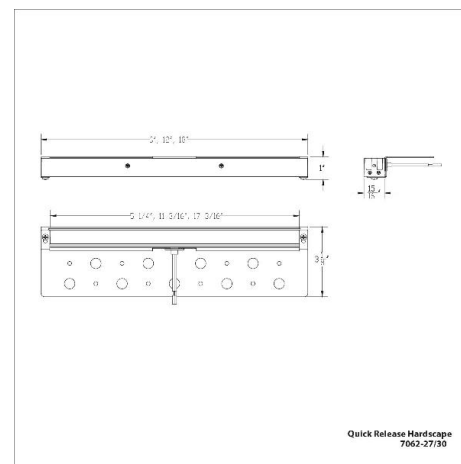
Location: _____



FINISHES:



LINE DRAWING:



WAC LIGHTING

12V Magnetic Transformer (Outdoor)

Accessory

Fixture Type: _____

Catalog Number: _____

Project: _____

Location: _____

Model & Product

9075-TRN-SS 75W Magnetic Landscape Lighting Power Supply in Stainless Steel
 9150-TRN-SS 150W Magnetic Landscape Lighting Power Supply in Stainless Steel
 9300-TRN-SS 300W Magnetic Landscape Lighting Power Supply in Stainless Steel
 9600-TRN-SS 600W Magnetic Landscape Lighting Power Supply in Stainless Steel

L x W x H

13.97IN x 5.35IN x 5.63IN
 18.9IN x 6.69IN x 6.3IN
 18.9IN x 6.69IN x 6.3IN
 14.49IN x 10.08IN x 5.94IN

Example: **9075-TRN-SS**

DESCRIPTION

WAC Landscape Lighting Magnetic power supplies are 12V AC to support the entire line of 12V Landscape Lighting products, including Accent, Flood, Well, Indicator, Submersible, 12V Tape Light, Step and Wall, Deck and Patio, Path and Area, and Hardscape lighting products. The Stainless Steel housing enhances protection from corrosive and outdoor elements. Mounting extrusion with varying knockout sizes proved for a simple installation. Heavy gauged grounded and water resistant cord included for simple plug-in power feature. Hinged cover includes a loop to safely lock the power supply with an optional lock to secure access from inner contents. Multiple wire taps ranging from 12V-16V on terminal strip, for long runs where voltage drop may occur. Hinged cover includes a loop to safely lock the power supply with an optional lock to secure access from inner contents.

FEATURES

- Outdoor rated stainless steel transformer contains an outdoor rated 3-prong plug for power
- Knock outs for power and photosensor connections
- 3-prong outlet for timer
- Taps for 12V, 13V, 14V and 15V
- 6' lead input wire, except for the 600W which comes with a 5' lead wire
- UL 1838 Listed
- MLV Dimming capable, dimming dependent upon fixture type
- 5 year warranty

SPECIFICATIONS

Construction:	Stainless steel
Input:	120 VAC, 50/60Hz
Finish:	Stainless Steel: Stainless Steel
Operating Temp:	-40°F to 122°F (-40°C to 50°C)
Standards:	UL, cUL, Wet Location Listed, IP65



FINISHES:



Stainless Steel

LINE DRAWING:

