



**PROFESSIONAL  
OUTDOOR LIGHTING**

Type: \_\_\_\_\_  
 Model: \_\_\_\_\_  
 Project: \_\_\_\_\_

# SPECIFICATION SHEET

## MODEL 5284 Landscape Series • In-Ground & Well Lights

### FIXTURE SPECIFICATIONS:

**HOUSING:**

Injection-molded, glass-reinforced Ryton® R-4 composite for strength and high UV stability – warranted for ten years against corrosion, suspended inside a 6" black ABS well.

**LENS COVER:**

Precision CNC machined solid brass or solid stainless steel fitted to housing with a silicone O-ring gasket – providing a superior weather-tight seal.

**FINISH:**

Natural brass, Olde Brass or stainless steel lens cover. Housing available in black only.

**SOCKET/LAMP HOLDER:**

Top grade ceramic socket with nickel contacts, stainless steel springs, and Teflon-jacketed wire leads.

**LENS:**

Clear, tempered, shock and heat-resistant, soda-lime glass lens- crowned to promote water runoff.

**LAMP TYPE:**

MR-16 Halogen – 50W maximum. LN-20 BAB/FG (20W) Standard.

**OPTICS/AIMING:**

Adjustable lamp bracket provides up to ±25° of tilt as well as 360° rotation of housing for precise beam control. Lamp bracket can be

locked into place to prevent disrupting lamp position when relamping. Housing bracket within ABS well provides up to ±45° of tilt in addition to lamp bracket.

**MOUNTING:**

In-grade. Conduit mount fixtures have two ¾" NPT inlets on bottom. Optional concrete mounting kit available; please see accessories column on fixture ordering information chart.

**FASTENERS/INSERTS:**

All fasteners are stainless steel with brass inserts.

**WIRING:**

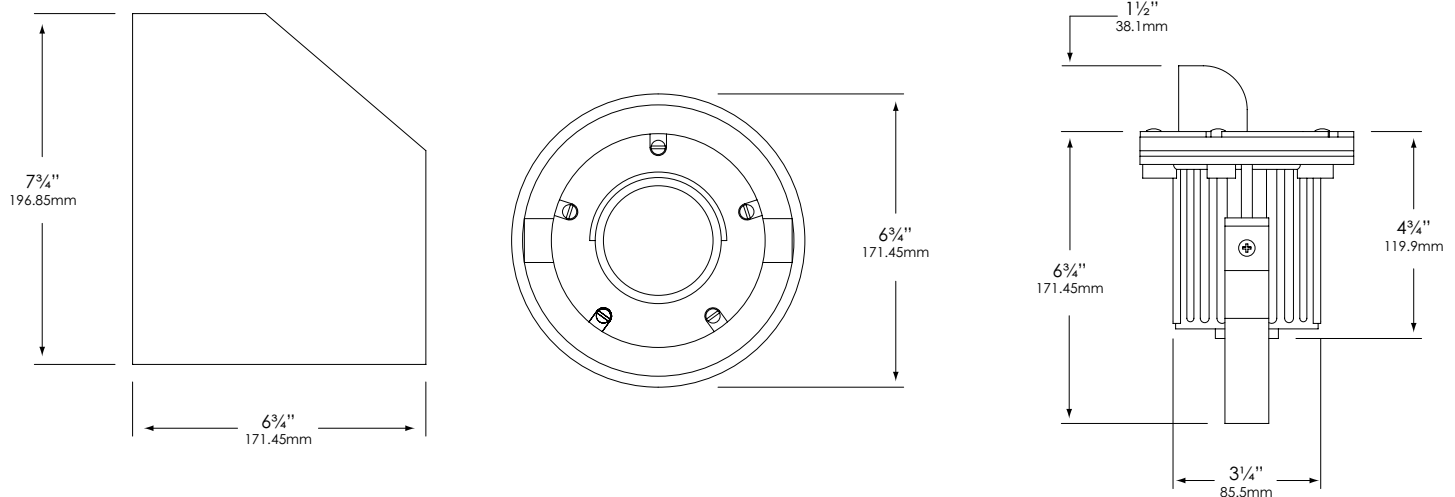
Prewired with a three-foot pigtail of 18-2 direct-burial cable and underground connectors for a secure connection to supply cable.

**CERTIFICATION:**

UL Listed to U.S. and Canadian safety standards for low voltage landscape luminaires (UL 1838). Maximum wattages allowed by Underwriters Laboratories (UL) for U.S. and Canadian markets may vary. Maximum wattages specified are Underwriters Laboratories U.S. standard. Please contact Vista for any questions about maximum wattages allowed by UL Canadian standards.

All Vista luminaires are **MADE IN U.S.A.**

### DIMENSIONS:



Vista Professional Outdoor Lighting reserves the right to modify the design and/or construction of the fixture shown without further notification.



# SPECIFICATION SHEET

## MODEL 5284 Landscape Series • In-Ground & Well Lights

### FIXTURE ORDERING INFORMATION

TO ORDER FIXTURE: Select appropriate choice from each column as in the following example.

**EXAMPLE: GW-5284-BSN-BAB/FG-SL**

MOUNTING	MODEL	FINISH	LAMP	ACCESSORIES
GW - In-grade	5284	BSN - Natural Brass BSO - Olde Brass SS - Stainless Steel	LN16-4.5-W-A-36-LED standard LED  <i>(Please see lamp order code column on lamp guide, Vista product catalog.)</i>	CBL - Crowned Cool Blue lens CFR - Crowned Frosted lens SL - Flat Spread lens DBL - Flat Dark Blue lens GL - Flat Dark Green lens RL - Flat Red lens YL - Flat Amber lens HL - Honeycomb louver

Fixtures shipped with standard lamp, unless otherwise specified.