



**PROFESSIONAL
OUTDOOR LIGHTING**

Type: _____

Model: _____

Project: _____

SPECIFICATION SHEET

MODEL 5251 Landscape Series • In-Ground & Well Lights

FIXTURE SPECIFICATIONS:

HOUSING:

Die-cast, copper-free aluminum fixture with a silicone O-ring gasket, suspended inside a 6" black ABS well.

FINISH:

Durable powder coat finish available in Black, Architectural Bronze, Dark Bronze, Granite, White, Architectural Brick, Light Bronze, Special Bronze, Glossy Gray, Rust, Hunter Green, Weathered Bronze, Weathered Iron, Graphite Metallic, Verde, Pewter, Mocha and Olde Finish. Custom Powder coat finishes available on request.

SOCKET/LAMP HOLDER:

Top grade ceramic socket with nickel contacts, stainless steel springs, and Teflon-jacketed wire leads.

LENS:

Clear, tempered, shock and heat-resistant, soda-lime glass lens. Optical effect lenses are available; see accessories column on fixture ordering information chart.

LAMP TYPE:

MR-16 Halogen – 50W maximum. LN-20 BAB/FG (20W) Standard.

OPTICS/AIMING:

Adjustable lamp bracket provides up to ±25° of tilt as well as 360° rotation of housing for precise beam control. Lamp bracket can be locked into place to prevent disrupting lamp position when relamping.

Housing bracket within ABS well provides up to ±45° of tilt in addition to lamp bracket.

MOUNTING:

In-grade. Mounting accessories not required.

FASTENERS:

All fasteners are stainless steel.

WIRING:

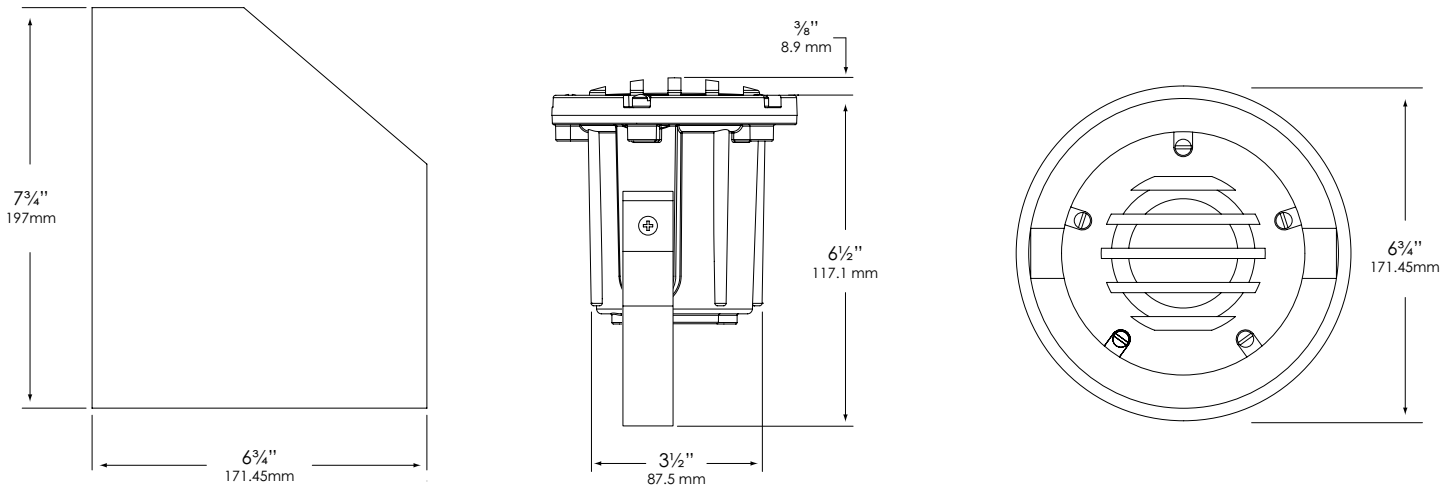
Prewired with a three-foot pigtail of 18-2 direct-burial cable and underground connectors for a secure connection to supply cable.

CERTIFICATION:

UL Listed to U.S. and Canadian safety standards for low voltage landscape luminaires (UL 1838). Maximum wattages allowed by Underwriters Laboratories (UL) for U.S. and Canadian markets may vary. Maximum wattages specified are Underwriters Laboratories U.S. standard. Please contact Vista for any questions about maximum wattages allowed by UL Canadian standards.

All Vista luminaires are **MADE IN U.S.A.**

DIMENSIONS:



Vista Professional Outdoor Lighting reserves the right to modify the design and/or construction of the fixture shown without further notification.



SPECIFICATION SHEET

MODEL 5251 Landscape Series • In-Ground & Well Lights

FIXTURE ORDERING INFORMATION

TO ORDER FIXTURE: Select appropriate choice from each column as in the following example.

EXAMPLE: GW-5251-B-BAB/FG-SL

MOUNTING	MODEL	FINISH	LAMP	ACCESSORIES
GW - In-grade	5251	Standard	BAB/FG - 20W	BL- Flat Cool Blue lens SL- Flat Spread lens FR- Flat Frosted lens DBL- Flat Dark Blue lens GL- Flat Dark Green lens RL- Flat Red lens YL- Flat Amber lens DL- Directional Grate cover BD- Bidirectional grate cover HL- Honeycomb louver
		B - Black Z - Architectural Bronze DZ - Dark Bronze GT - Granite W - White	LN-20 BAB/FG Standard Halogen 4.5-W-36 - 4.5W LN16-4.5-W-A-36-LED standard LED	
		Premium	W-LF3SP - Warm, 3 Emitter, 5W, Spot C-LF3SP - Cool, 3 Emitter, 5W, Spot W-LF3MF - Warm, 3 Emitter, 5W, Medium Flood C-LF3MF - Cool, 3 Emitter, 5W, Medium Flood W-LF3WF - Warm, 3 Emitter, 5W, Wide Flood C-LF3WF - Cool, 3 Emitter, 5W, Wide Flood	
		BR - Architectural Brick LZ - Light Bronze SB - Special Bronze GG - Glossy Gray R - Rust HG - Hunter Green WB - Weathered Bronze WI - Weathered Iron GM - Graphite Metallic	W-LF6SP - Warm, 6 Emitter, 10W, Spot C-LF6SP - Cool, 6 Emitter, 10W, Spot W-LF6MF - Warm, 6 Emitter, 10W, Medium Flood C-LF6MF - Cool, 6 Emitter, 10W, Medium Flood W-LF6WF - Warm, 6 Emitter, 10W, Wide Flood C-LF6WF - Cool, 6 Emitter, 10W, Wide Flood	
Hand Finished	G - Verde P - Pewter M - Mocha OF - Olde Finish	W-LF9SP - Warm, 9 Emitter, 17W, Spot C-LF9SP - Cool, 9 Emitter, 17W, Spot W-LF9MF - Warm, 9 Emitter, 17W, Medium Flood C-LF9MF - Cool, 9 Emitter, 17W, Medium Flood W-LF9WF - Warm, 9 Emitter, 17W, Wide Flood C-LF9WF - Cool, 9 Emitter, 17W, Wide Flood		
			<p>(Please see lamp order code column on lamp guide, Vista product catalog.)</p>	

Fixtures shipped with standard lamp, unless otherwise specified.