



Type: \_\_\_\_\_

Model: \_\_\_\_\_

Project: \_\_\_\_\_

## SPECIFICATION SHEET

### MODEL 4270 Landscape Series • Step & Brick Light

#### FIXTURE SPECIFICATIONS:

**HOUSING:**

Die-cast Aluminum

**FLANGE PLATE:**

Stainless Steel

**FINISH:**

Polyester powder-coat finish available in Black, Verde, Architectural Brick, Architectural Bronze, Light Bronze, Dark Bronze, Granite, Pewter, Terracotta, Rust, Hunter Green, Mocha, Weathered Bronze, Weathered Iron, and White.

**LAMP TYPE:**

High Output LED with Vista exclusive smart-driver, powered to operate for 50,000 hours.

**ELECTRICAL:**

Input voltage range 9-15V AC or 12V DC, regulated to achieve uniform illumination throughout the cable run of fixtures. Integral surge & reverse polarity protection.

**LENS:**

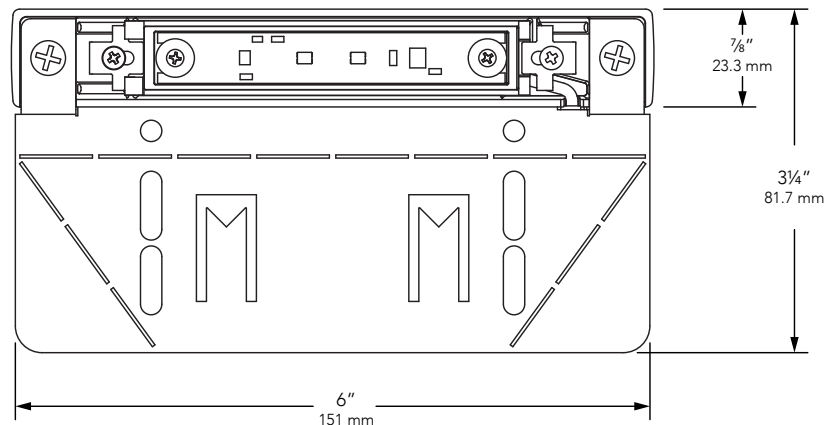
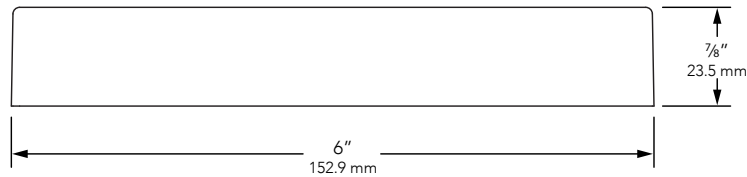
High-impact, textured, Tuffak® lens for superior light distribution.

**WIRING:**

Provided with a ten-foot pigtail of 18-2 SPT1 UV resistant cable & underground connectors for a secure connection to supply cable.

All Vista luminaires are **MADE IN U.S.A.**

#### DIMENSIONS:



Vista Professional Outdoor Lighting reserves the right to modify the design and/or construction of the fixture shown without further notification.



**FIXTURE ORDERING INFORMATION:**

TO ORDER FIXTURE: Select appropriate choice from each column as in the following example.

**EXAMPLE: SL-4270-B-W-LB2ND**

MOUNTING	MODEL	FINISH	COLOR TEMPERATURE	LAMP
SL – Step light	4270	Standard	W – Warm C – Cool	<b>LB2ND</b>  LED: Group B Emitter Qty: 2 Temperature: Warm (W), Cool (C) Operating voltage range: 9-15V  (Please see lamp order code column on lamp guide, Vista product catalog.)
		B – Black Z – Architectural Bronze DZ – Dark Bronze GT – Granite W – White		
		Premium		
		BR – Architectural Brick LZ – Light Bronze SB – Special Bronze GG – Glossy Gray R – Rust HG – Hunter Green WB – Weathered Bronze WI – Weathered Iron GM – Graphite Metallic		
		Hand Finished		
		G – Verde P – Pewter M – Mocha OF – Olde Finish		