



**PROFESSIONAL
OUTDOOR LIGHTING**

Type:

Model:

Project:

SPECIFICATION SHEET

MODEL 4019 Landscape Series • Path & Spread Lights

FIXTURE SPECIFICATIONS:

HOUSING:

Die-cast, copper-free aluminum with injection-molded, glass-reinforced polymer adjustable knuckle for fully articulated repositioning.

SHROUD:

Die-cast, copper-free aluminum fitted to housing with a silicone O-ring gasket – providing a superior weather-tight seal.

STEM:

½" schedule-40 aluminum pipe with ½" NPT.

FINISH:

Polyester powder-coat finish available in Black, Architectural Bronze, Dark Bronze, Granite, White, Architectural Brick, Light Bronze, Special Bronze, Glossy Grey, Rust, Hunter Green, Weathered Bronze, Weathered Iron, Graphite Metallic, Verde, Pewter, Mocha and Olde Finish.

SOCKET/LAMP HOLDER:

Top grade ceramic socket with nickel contacts, stainless steel springs, & Teflon-jacketed wire leads.

LENS:

Clear, tempered, shock & heat-resistant soda-lime glass lens.

LAMP TYPE:

MR-16 Halogen – 20W maximum. LN-20 BAB (20W) Standard.

AIMING:

Adjustable multi-access swivel provides up to ±90° of tilt from vertical as

well as 360° of full circle rotation in vertical & horizontal planes.

MOUNTING:

Bottom of stem threaded with ½" NPT. Fixture may be mounted into threaded hubs in junction boxes, ground stakes, floor mounting canopies, or architectural canopies. Architectural canopies are ideal for use in extending fixtures from walls & projecting back to light signs, wash walls, & provide accents to facades.

FASTENERS:

All fasteners are stainless steel.

WIRING:

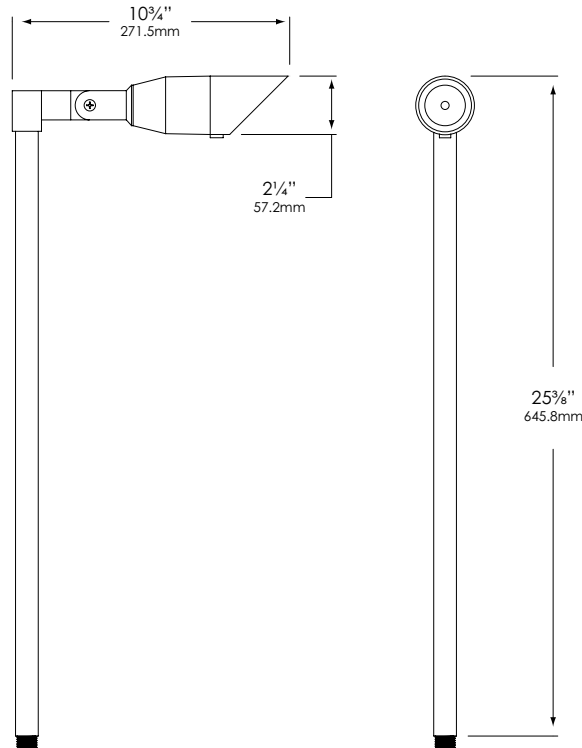
Prewired with a three-foot pigtail of 18-2 direct-burial cable & underground connectors for a secure connection to supply cable.

CERTIFICATION:

UL Listed to U.S. & Canadian safety standards for low voltage landscape luminaires (UL 1838). Maximum wattages allowed by Underwriters Laboratories for U.S. & Canadian markets may vary. Maximum wattages specified are Underwriters Laboratories U.S. standard. Please contact Vista for any questions about maximum wattages allowed by UL Canadian standards.

All Vista luminaires are [MADE IN U.S.A.](#)

DIMENSIONS:



Vista Professional Outdoor Lighting reserves the right to modify the design and/or construction of the fixture shown without further notification.



SPECIFICATION SHEET

MODEL 4019 Landscape Series • Path & Spread Lights

FIXTURE ORDERING INFORMATION

TO ORDER FIXTURE: Select appropriate choice from each column as in the following example.

EXAMPLE: ML-4019-B-BAB-SL

| MOUNTING | MODEL | FINISH | LAMP | ACCESSORIES |
|--|-------|---|---|--|
| ML - ABS ground stake AC - Architectural canopy | 4019 | Standard | BAB - 20W | BL - Flat Cool Blue lens SL - Flat Spread lens FR - Flat Frosted lens DBL - Flat Dark Blue lens GL - Flat Dark Green lens RL - Flat Red lens YL - Flat Amber lens HL - Honeycomb louver |
| | | B - Black Z - Architectural Bronze DZ - Dark Bronze GT - Granite W - White | MR-16 Halogen 20W Maximum LN-20 BAB (20W) Standard | |
| | | Premium | 2.5-W-T3 | |
| | | BR - Architectural Brick LZ - Light Bronze SB - Special Bronze GG - Glossy Gray R - Rust HG - Hunter Green WB - Weathered Bronze WI - Weathered Iron GM - Graphite Metallic | LNT3-2.5-W-G-LED | |
| | | Hand Finished | W-LB2ND - Warm 2.5W N-LB2ND - Neutral 2.5W C-LB2ND - Cool 2.5W | |
| | | G - Verde P - Pewter M - Mocha OF - Olde Finish | W-LB5ND - Warm 5W N-LB5ND - Neutral 5W C-LB5ND - Cool 5W | |
| | | | (Please see lamp order code column on lamp guide, Vista product catalog.) | |

Fixtures shipped with standard lamp, unless otherwise specified.

Fixtures shipped with specified mounting hardware.

Note: Optional custom length stems available. Consult local distributor.