

Fixture Type: \_\_\_\_\_

Catalog Number: \_\_\_\_\_

Project: \_\_\_\_\_

Location: \_\_\_\_\_

## 3" Hardscape

### Quick Connect Linear Hardscape Light

Model & Size	Color Temp & CRI	Watt	Lumens	Finish
7032 3"	27 2700K - 85	1.5W	50	BZ Bronze on Aluminum
	30 3000K - 85	1.5W	50	GH Graphite on Aluminum SD Sand on Aluminum

Example: **7032-27BZ**

#### DESCRIPTION

Integral brightness control, select color temperature option. Hardscape easily detaches from capstone bracket after installation. Factory sealed water-tight fixture. Tightly spaced and diffused LEDs for even illumination. Mounting options included: stainless steel under capstone brackets, clips and hardware. Can be mounted on wall in all orientations

#### FEATURES

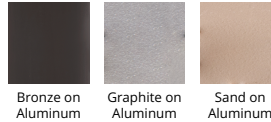
- Quick release connection at fixture to easily detach after installation
- Hardscape easily detaches from capstone bracket after installation
- Factory-sealed water tight fixture
- Transformer required
- 10 yrs warranty

#### SPECIFICATIONS

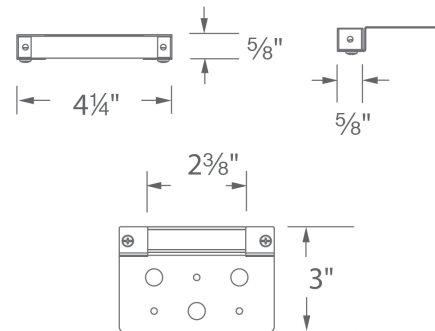
Construction:	Corrosion resistant aluminum alloy
Power:	1.5W
Input:	50/60Hz, 9-15 VAC
Light Source:	Integrated LED
	3 Step Mac Adam Ellipse
Lens:	PC Diffuser
Rated Life:	50000 Hours
Mounting:	Can be mounted on wall in all orientations
Finish:	Enamel Coated Bronze on Aluminum, Enamel Coated Graphite on Aluminum, Enamel Coated Sand on Aluminum
Operating Temp:	-40°F to 122°F (-40°C to 50°C)
Standards:	ETL, cETL, Wet Location Listed, IP66



#### FINISHES



#### LINE DRAWING



Fixture Type: \_\_\_\_\_

Catalog Number: \_\_\_\_\_

Project: \_\_\_\_\_

Location: \_\_\_\_\_

## 12V Magnetic Transformer (Outdoor)

### Accessory

#### Model & Product

Model & Product	L x W x H
9075-TRN-SS 75W Magnetic Landscape Lighting Power Supply in Stainless Steel	13.97IN x 5.35IN x 5.63IN
9150-TRN-SS 150W Magnetic Landscape Lighting Power Supply in Stainless Steel	18.9IN x 6.69IN x 6.3IN
9300-TRN-SS 300W Magnetic Landscape Lighting Power Supply in Stainless Steel	18.9IN x 6.69IN x 6.3IN
9600-TRN-SS 600W Magnetic Landscape Lighting Power Supply in Stainless Steel	14.49IN x 10.08IN x 5.94IN

#### DESCRIPTION

WAC Landscape Lighting Magnetic power supplies are 12V AC to support the entire line of 12V Landscape Lighting products, including Accent, Flood, Well, Indicator, Submersible, 12V Tape Light, Step and Wall, Deck and Patio, Path and Area, and Hardscape lighting products. The Stainless Steel housing enhances protection from corrosive and outdoor elements. Mounting extrusion with varying knockout sizes proved for a simple installation. Heavy gauged grounded and water resistant cord included for simple plug-in power feature. Hinged cover includes a loop to safely lock the power supply with an optional lock to secure access from inner contents. Multiple wire taps ranging from 12V-16V on terminal strip, for long runs where voltage drop may occur. Hinged cover includes a loop to safely lock the power supply with an optional lock to secure access from inner contents.

#### FEATURES

- Outdoor rated stainless steel transformer contains an outdoor rated 3-prong plug for power
- Knock outs for power and photosensor connections
- 3-prong outlet for timer
- Taps for 12V, 13V, 14V and 15V
- 6' lead input wire, except for the 600W which comes with a 5' lead wire
- UL 1838 Listed
- MLV Dimming capable, dimming dependent upon fixture type
- 5 year warranty

#### SPECIFICATIONS

<b>Construction:</b>	Stainless steel
<b>Input:</b>	120 VAC, 50/60Hz
<b>Finish:</b>	Stainless Steel Stainless Steel
<b>Operating Temp:</b>	-40°F to 122°F (-40°C to 50°C)
<b>Standards:</b>	UL, cUL, Wet Location Listed, IP65



#### FINISHES



Stainless Steel

#### LINE DRAWING

