



**PROFESSIONAL
OUTDOOR LIGHTING**

Type:

Model:

Project:

SPECIFICATION SHEET

MODEL 3107 Landscape Series • Up & Accent Lights

FIXTURE SPECIFICATIONS:

HOUSING:

Die-cast, copper-free aluminum.

SHROUD:

Die-cast, copper-free aluminum fitted to housing with a closed-cell molded silicone gasket – providing a superior weather-tight seal. Door is designed to shed water from the lens surface.

FINISH:

Durable powder coat finish available in Black, Architectural Bronze, Dark Bronze, Granite, White, Architectural Brick, Light Bronze, Special Bronze, Glossy Gray, Rust, Hunter Green, Weathered Bronze, Weathered Iron, Graphite Metallic, Verde, Pewter, Mocha and Olde Finish. Custom Powder coat finishes available on request.

LENS:

Clear, tempered, shock and heat-resistant, soda-lime glass lens.

LAMP TYPE:

LED Lamp Only - Cree® MT-G2 High Density Array (HDA) driven at 4.5-watts, 9.5-watts, or 13-watts. Color temperature available in 27 - (2700K), W - Warm (3000K), 35 - (3500K), N - Neutral (4000K), C - Cool (5000K).

ELECTRICAL:

Input voltage range 9 - 15V AC.

OPTICS:

Available in VNS - Very Narrow Spot, SP - Spot, MF - Medium Flood, or WF - Wide Flood.

MOUNTING:

Injection-molded composite adjustable knuckle with 1/2" NPS thread. Fixture may be mounted into threaded hubs in junction boxes, ground stakes (GR), tree mount boxes (TR), or mounting canopies (WR).

FASTENERS:

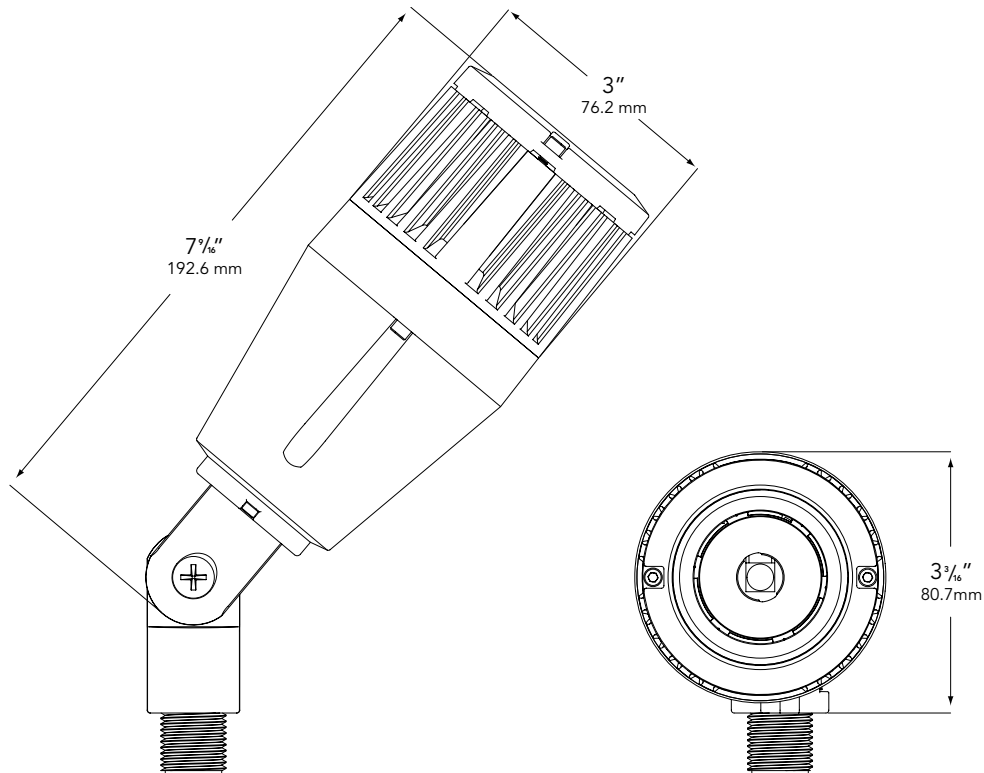
All fasteners are stainless steel.

WIRING:

Prewired with a 36" pigtail of 18-2 direct-burial cable and underground connectors for a secure connection to supply cable.

All Vista luminaires are **MADE IN U.S.A.**

DIMENSIONS:



Vista Professional Outdoor Lighting reserves the right to modify the design and/or construction of the fixture shown without further notification.



SPECIFICATION SHEET

MODEL 3107 Landscape Series • Up & Accent Lights

FIXTURE ORDERING INFORMATION

TO ORDER FIXTURE: Select appropriate choice from each column as in the following example.

EXAMPLE: GR-3107-B-4.5-W-SP

MOUNTING	MODEL	FINISH	WATTAGE	COLOR TEMP	DISTRIBUTION	ACCESSORIES
GR- ABS ground stake WR- Wall-mount canopy TR- Tree-mount J-box	3107	Standard	4.5	27 - 2700K W - Warm 35 - 3500K N - Neutral C - Cool	VNS - Very Narrow Spot SP - Spot MF - Medium Flood WF - Wide Flood	BD - Barn Doors FS - Full Shield HS - Half Shield HL - Honeycomb Louver
		B - Black	9.5			
		Z - Architectural Bronze	13			
		DZ - Dark Bronze				
		Premium				
		BR - Architectural Brick				
		LZ - Light Bronze				
		SB - Special Bronze				
		GG - Glossy Gray				
		R - Rust				
		HG - Hunter Green				
		WB - Weathered Bronze				
		WI - Weathered Iron				
		GM - Graphite Metallic				
		Hand Finished				
		G - Verde				
		P - Pewter				
		M - Mocha				
		OF - Olde Finish				

Fixtures shipped with standard lamp, unless otherwise specified.
Fixtures shipped with specified mounting hardware.

LUMEN OUTPUT PACKAGES

Watts	Lumens
-------	--------

Beam Spread	4.5	9.5	13
VNS	4.5 Watts	9.5 Watts	13 Watts
	135 Lumens	214 Lumens	269 Lumens
SP	4.5 Watts	9.5 Watts	13 Watts
	364 Lumens	566 Lumens	738 Lumens
MF	4.5 Watts	9.5 Watts	13 Watts
	321 Lumens	487 Lumens	711 Lumens
WF	4.5 Watts	9.5 Watts	13 Watts
	332 Lumens	542 Lumens	686 Lumens

Vista Professional Outdoor Lighting reserves the right to modify the design and/or construction of the fixture shown without further notification.